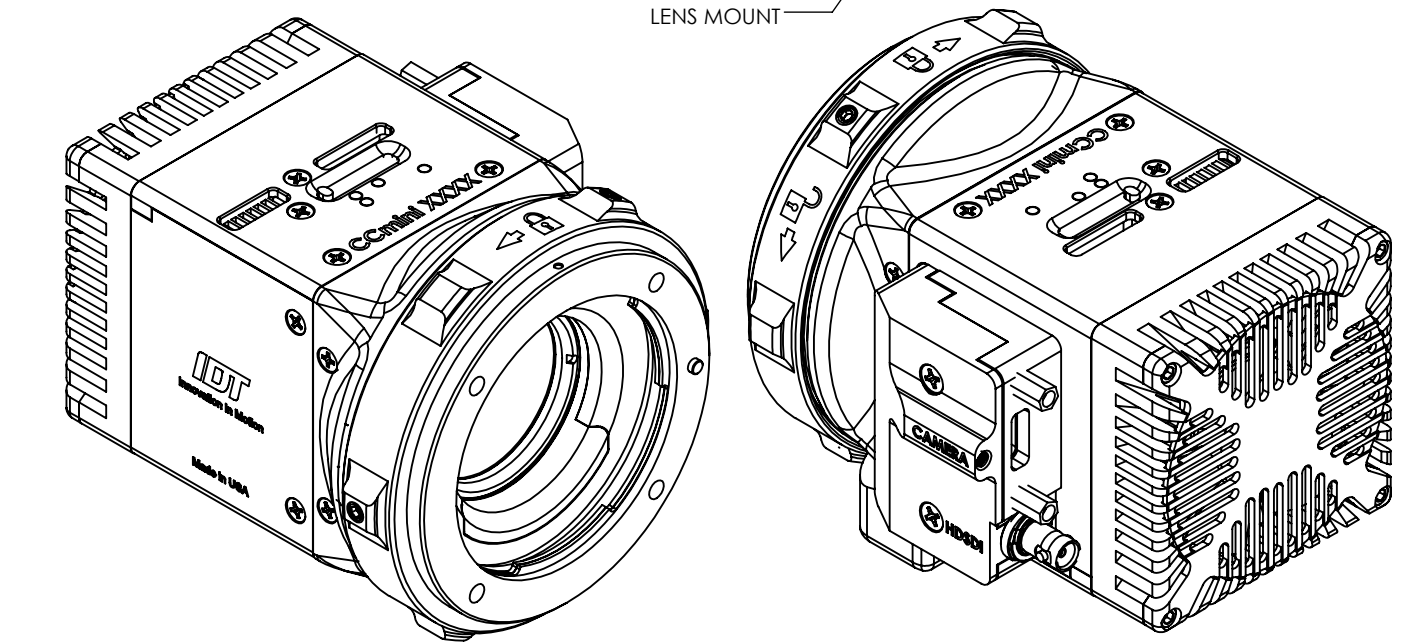
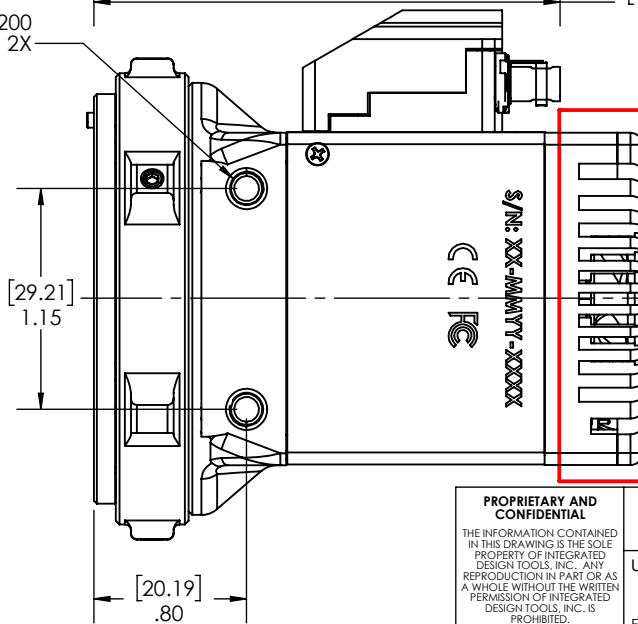
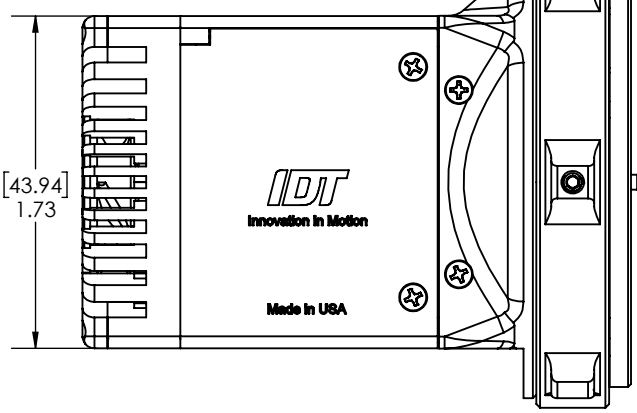
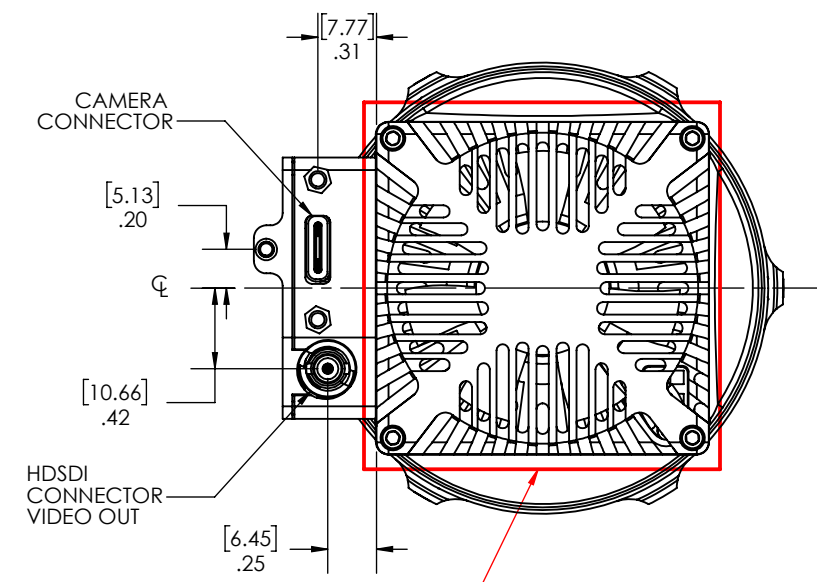
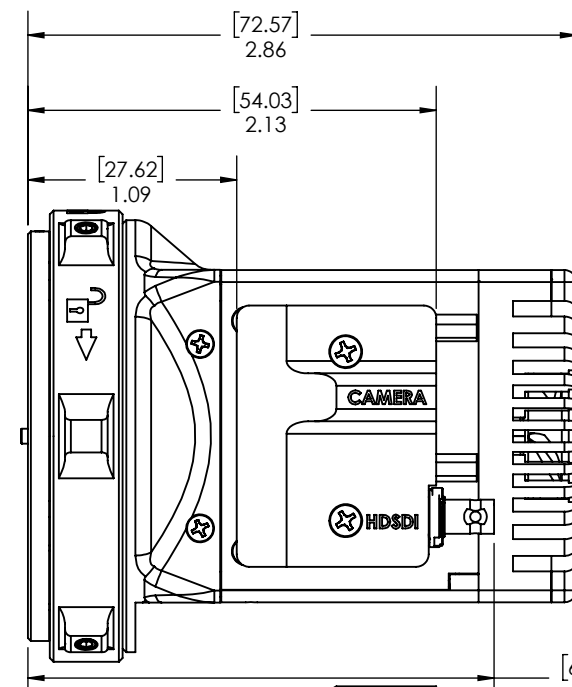
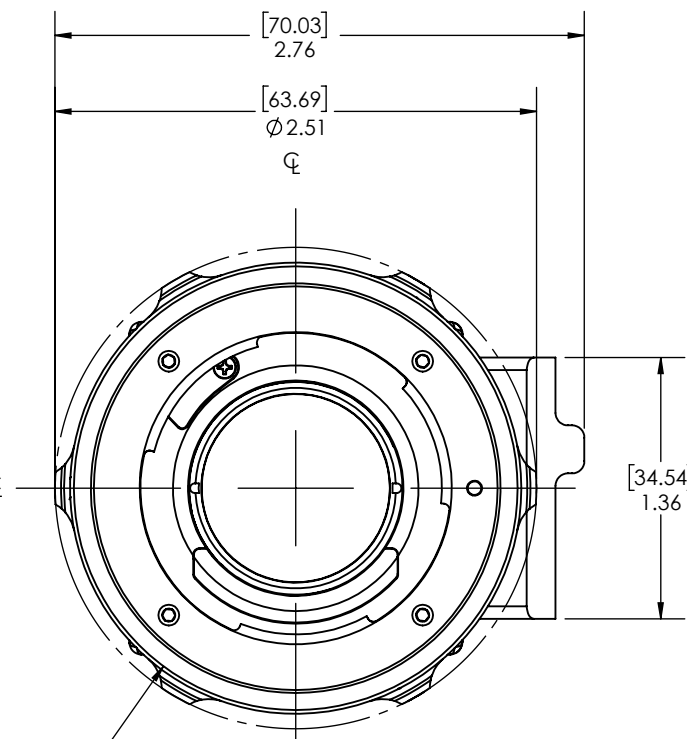
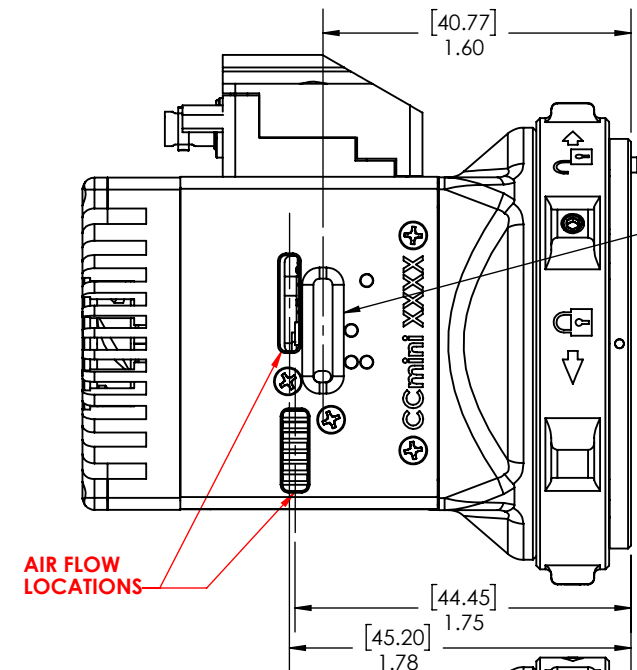


REVISIONS					
ZONE	REV.	ECO #	DESCRIPTION	DATE	APPROVED
	A	-	INITIAL RELEASE FOR PRODUCTION.	12/14/2022	B. MOAK



PROPRIETARY AND CONFIDENTIAL
 THE INFORMATION CONTAINED IN THIS DRAWING IS THE SOLE PROPERTY OF INTEGRATED DESIGN TOOLS, INC. ANY REPRODUCTION IN PART OR AS A WHOLE WITHOUT THE WRITTEN PERMISSION OF INTEGRATED DESIGN TOOLS, INC. IS PROHIBITED.

IDT

THIRD ANGLE PROJECTION

PROJECT NAME: CRASH CAM MINI 8G
 DATE: 12/14/2022
 DRAWN BY: B. MOAK
 CHECKED BY: D. ATOL
 MECH. ENGINEER: B. MOAK
 ELECTRICAL ENGINEER:
 OPERATIONS MANAGER:
 PROGRAM MANAGER:

UNLESS OTHERWISE SPECIFIED: DIMENSIONS ARE IN INCHES
 TOLERANCES ON:
 FRACTIONAL DECIMAL ANGULAR
 ± 1/16 .X ± .03 ± 1°
 .XX ± .01
 .XXX ± .005

DO NOT SCALE DRAWING

INTEGRATED DESIGN TOOLS, INC
 1 WEST MOUNTAIN STREET SUITE 3
 PASADENA, CA 91103

TITLE: CRASH CAM MINI 8G ASSY MMFT, ICD

SIZE: **B** DWG. NO. 1477-0130 REV **A**
 SCALE: 1:1 DATE: 12/14/2022 SHEET 1 OF 2

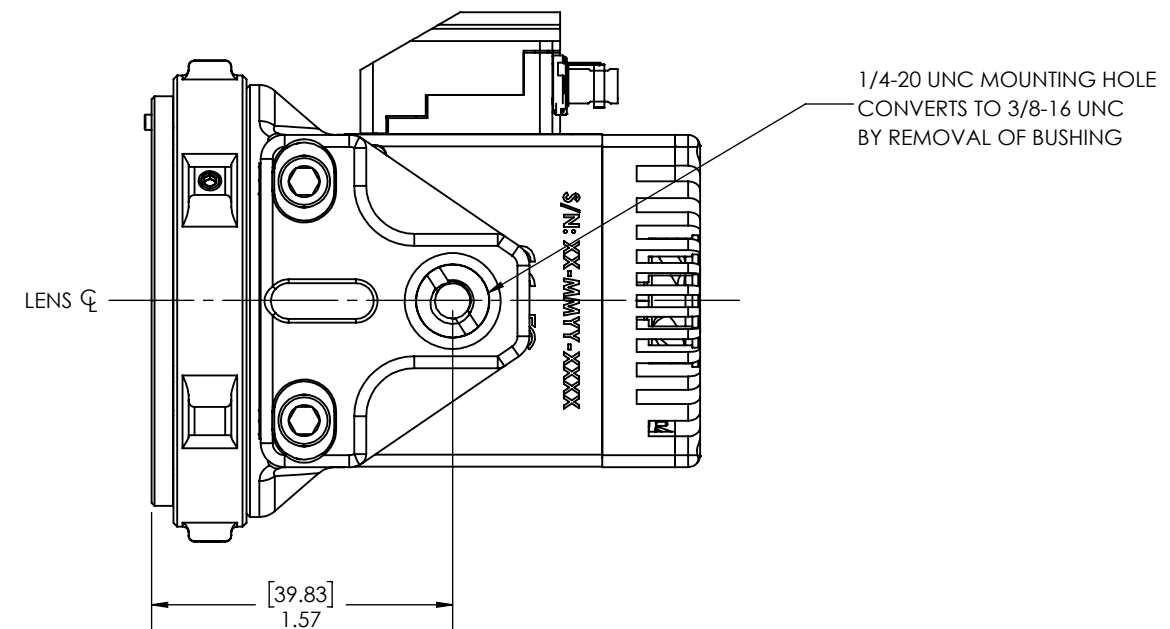
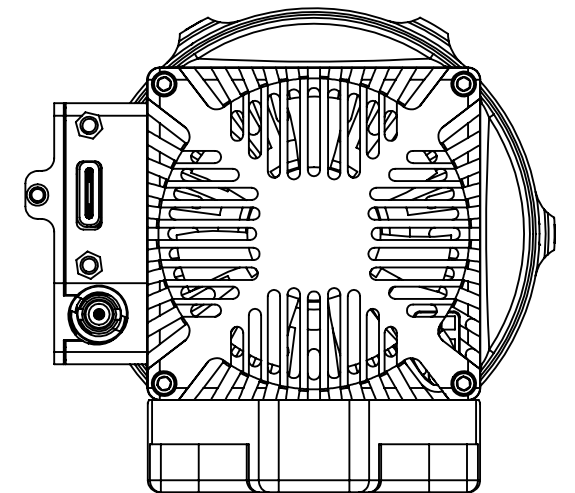
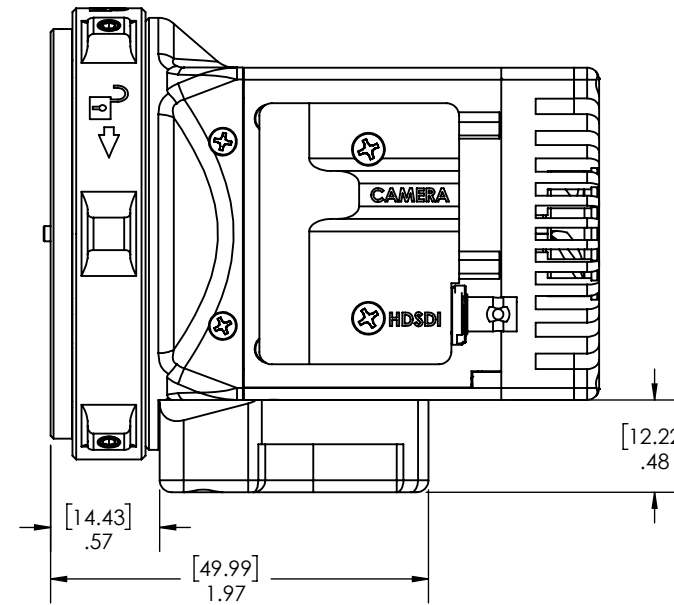
FOR CONNECTOR ELECTRICAL SPECIFICATION REFERENCE ONLY



USB-C 3.0 CONNECTOR CAMERA PORTS

PIN	SIGNAL	TECHNICAL DESCRIPTION
A1	GND	GROUND , DRAIN
A2	MCT 6 / ETH 7	100 Ω \pm 15% , GIGABIT ETHERNET (1000BaseT)
A3	MCT 7 / ETH 8	100 Ω \pm 15% , GIGABIT ETHERNET (1000BaseT)
A4	+ CAM POWER	10 VDC
A5	READY OUT	TTL 5V, 10mA MAX
A6	SYNC IN	2.7 k Ω \pm 10% SWITCH CLOSURE (TTL) 5V AND CMOS LEVEL COMPATIBLE
A7	SYNC OUT	TTL 5V, 10mA MAX
A8	TRIG IN	2.7 k Ω \pm 10% SWITCH CLOSURE (TTL) 5V AND CMOS LEVEL COMPATIBLE
A9	+ CAM POWER	10 VDC
A10	MCT 3 / ETH 6	100 Ω \pm 15% , GIGABIT ETHERNET (1000BaseT)
A11	MCT 2 / ETH 3	100 Ω \pm 15% , GIGABIT ETHERNET (1000BaseT)
A12	GND	GROUND , DRAIN
B1	GND	GROUND , DRAIN
B2	MCT4 / ETH 4	100 Ω \pm 15% , GIGABIT ETHERNET (1000BaseT)
B3	MCT 5 / ETH 5	100 Ω \pm 15% , GIGABIT ETHERNET (1000BaseT)
B4	+ CAM POWER	10 VDC
B5	READY OUT	TTL 5V, 10mA MAX
B6	SYNC IN	2.7 k Ω \pm 10% SWITCH CLOSURE (TTL) 5V AND CMOS LEVEL COMPATIBLE
B7	SYNC OUT	TTL 5V, 10mA MAX
B8	TRIG IN	2.7 k Ω \pm 10% SWITCH CLOSURE (TTL) 5V AND CMOS LEVEL COMPATIBLE
B9	+ CAM POWER	10 VDC
B10	MCT 1 / ETH 2	100 Ω \pm 15% , GIGABIT ETHERNET (1000BaseT)
B11	MCT 0 / ETH 1	100 Ω \pm 15% , GIGABIT ETHERNET (1000BaseT)
B12	GND	GROUND , DRAIN

CAMERA WITH TRIPOD MOUNT ATTACHED



PROPRIETARY AND CONFIDENTIAL <small>THE INFORMATION CONTAINED IN THIS DRAWING IS THE SOLE PROPERTY OF INTEGRATED DESIGN TOOLS, INC. ANY REPRODUCTION IN PART OR AS A WHOLE WITHOUT THE WRITTEN PERMISSION OF INTEGRATED DESIGN TOOLS, INC. IS PROHIBITED.</small>	PROJECT NAME: CRASH CAM MINI 8G	INTEGRATED DESIGN TOOLS, INC 1 WEST MOUNTAIN STREET SUITE 3 PASADENA, CA 91103
	<small>UNLESS OTHERWISE SPECIFIED: DIMENSIONS ARE IN INCHES TOLERANCES ON:</small> FRACTIONAL DECIMAL ANGULAR $\pm 1/16$ $X \pm .03$ $\pm 1^\circ$ $.XX \pm .01$ $.XXX \pm .005$	TITLE: CRASH CAM MINI 8G ASSY MMFT, ICD
DO NOT SCALE DRAWING	SCALE: 1:1	DATE: XX/XX/XXXX
	DWG. NO. 1477-0130	REV A
		SHEET 2 OF 2

