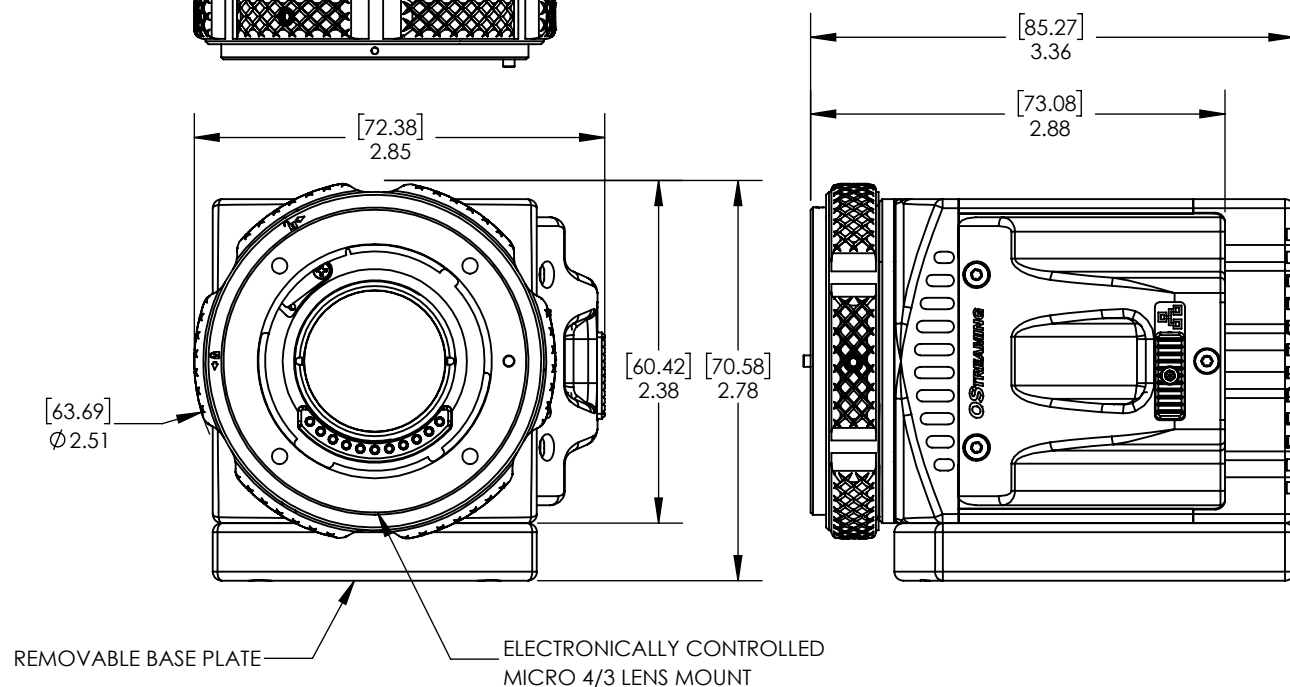
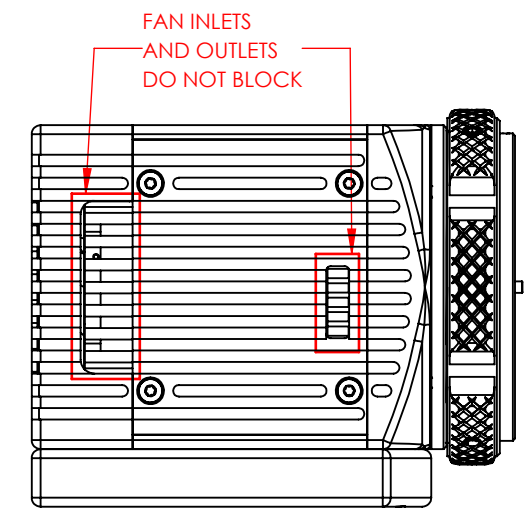
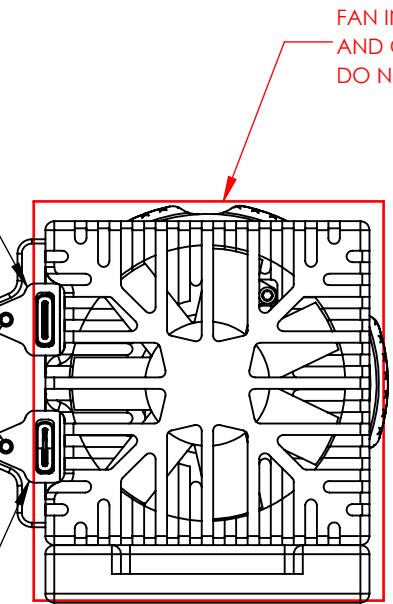
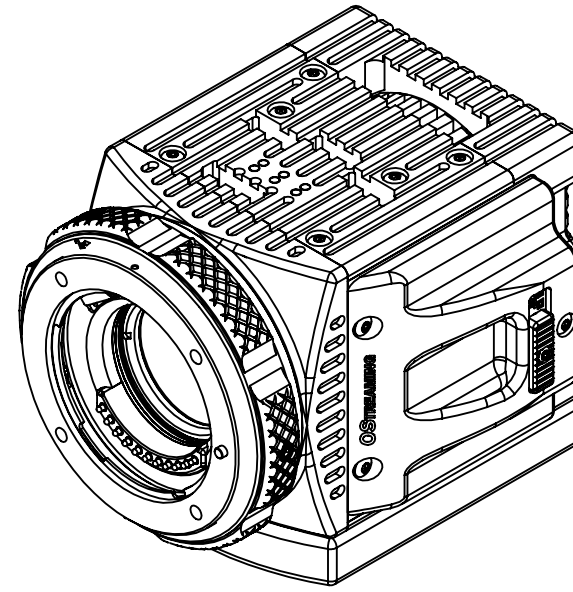
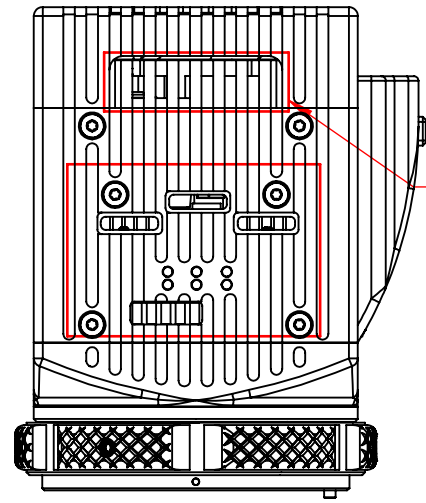


NOTES: UNLESS OTHERWISE SPECIFIED

- 1.WEIGHT:
 - WITH BASE PLATE: 1.34 lbs [.6 kg]
 - WITHOUT BASE PLATE: 1.12 lbs [.51 kg]

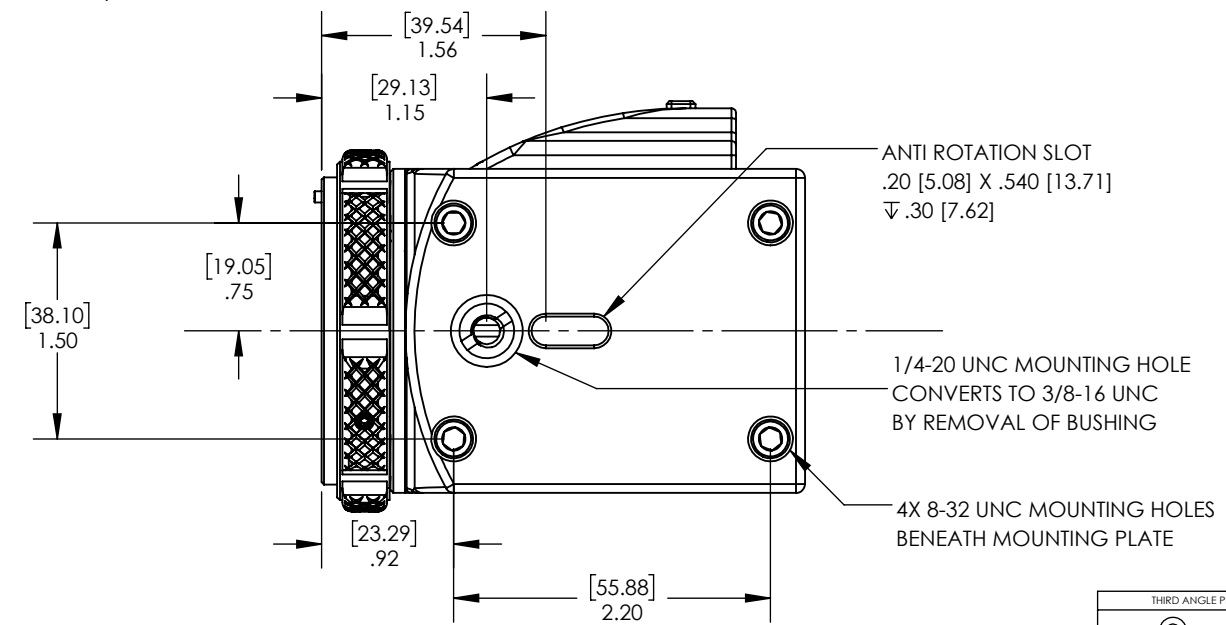
REVISIONS					
ZONE	REV.	ECO #	DESCRIPTION	DATE	APPROVED
	A		INITIAL RELEASE	8/30/2022	B. MOAK



USB 3.1 TYPE-C CONNECTOR
 USING IDT PROPRIETARY
 CAMERA CONTROLS PROTOCOL

m2X0.4mm
 FOR CABLE LOCK ONLY
 DO NOT USE FOR MOUNTING

USB 3.1 TYPE-C CONNECTOR
 USING IDT PROPRIETARY
 CAMERA CONTROLS PROTOCOL



PROPRIETARY AND CONFIDENTIAL <small>THE INFORMATION CONTAINED IN THIS DRAWING IS THE SOLE PROPERTY OF INTEGRATED DESIGN TOOLS, INC. ANY REPRODUCTION IN PART OR AS A WHOLE WITHOUT THE WRITTEN PERMISSION OF INTEGRATED DESIGN TOOLS, INC. IS PROHIBITED.</small>	MATERIAL:	FINISH:	PROJECT NAME: OSTREAMING	INTEGRATED DESIGN TOOLS, INC <small>1 WEST MOUNTAIN STREET SUITE 3 PASADENA, CA 91103</small>	
	UNLESS OTHERWISE SPECIFIED: DIMENSIONS ARE IN INCHES TOLERANCES ON:				DATE: 8/30/2022
	FRACTIONAL DECIMAL ANGULAR				DESIGNED BY: B. MOAK
	± 1/16 .X ± .03 ± 1° .XX ± .01 .XXX ± .005				CHECKED BY: D. ATOL RECH. ENGINEER: B. MOAK ELECTRICAL ENGINEER: B. MOAK OPERATION MANAGER: PROGRAM MANAGER:
DO NOT SCALE DRAWING				TITLE: ICD, OCTREAMING CAMERA	
SIZE: B		DWG. NO. 1522-0100		REV A	
SCALE: 3:4		DATE: 8/30/2022		SHEET 1 OF 1	

