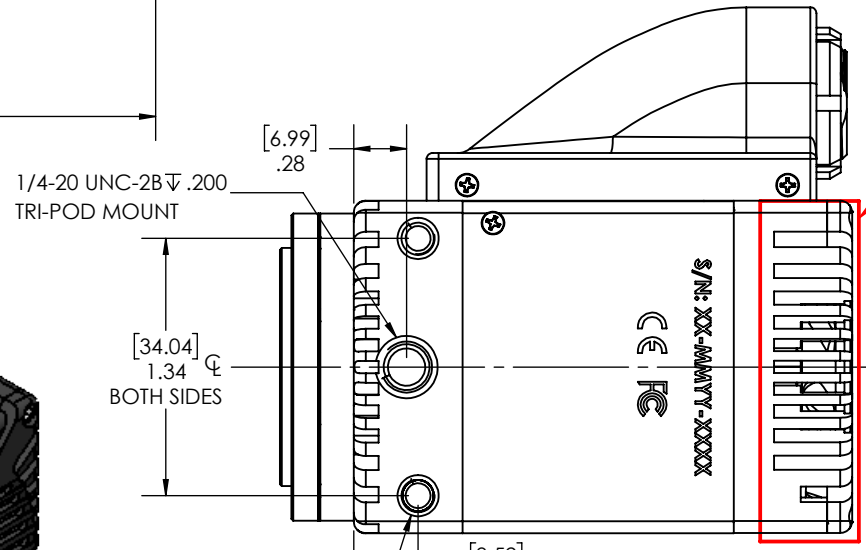
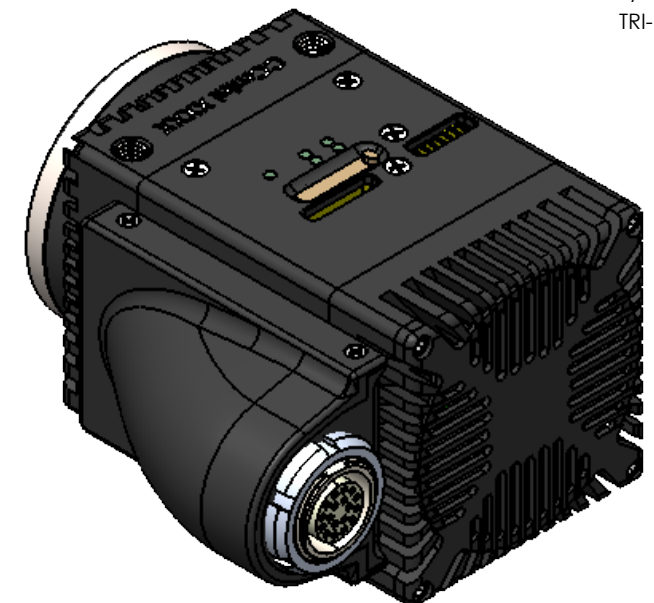
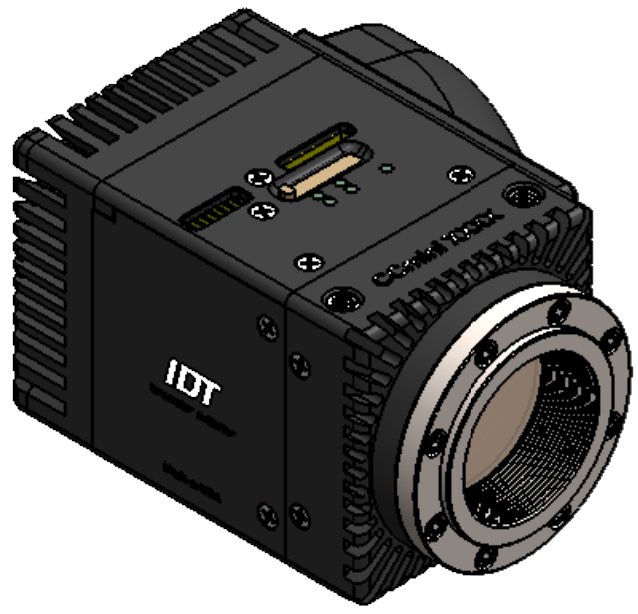
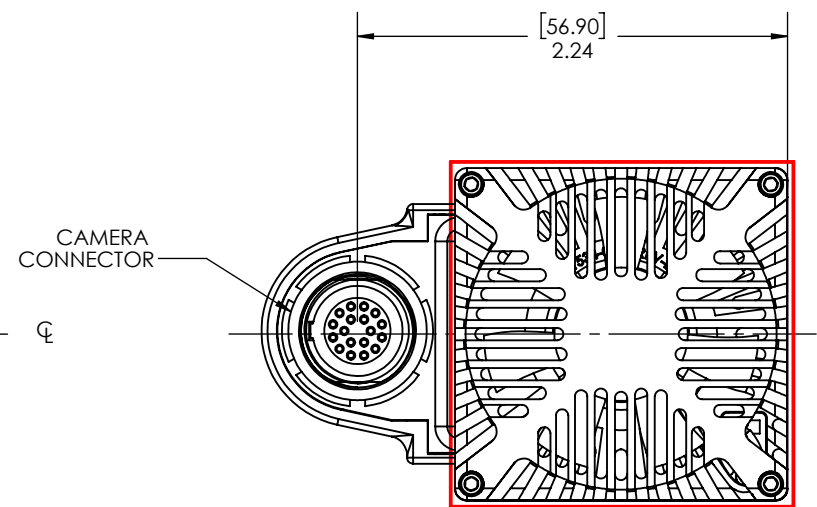
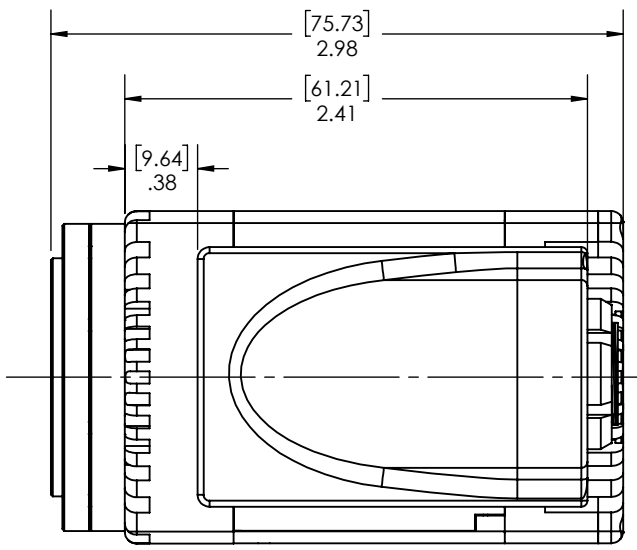
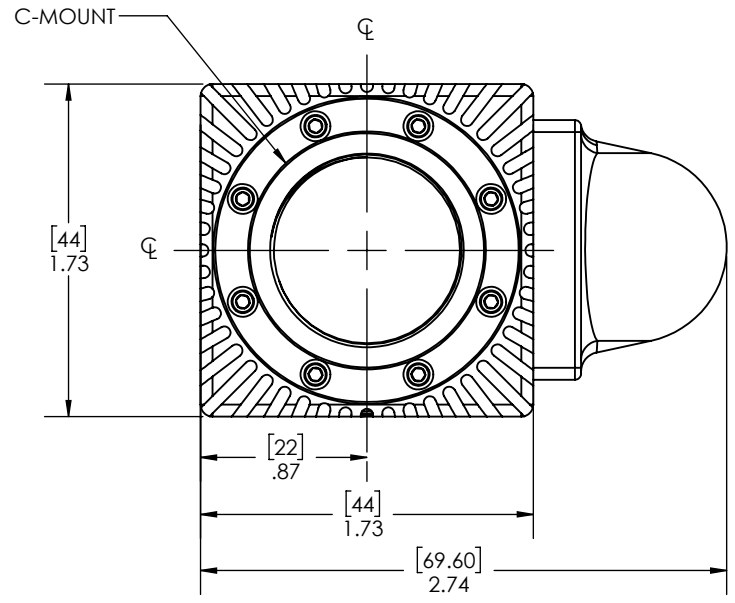
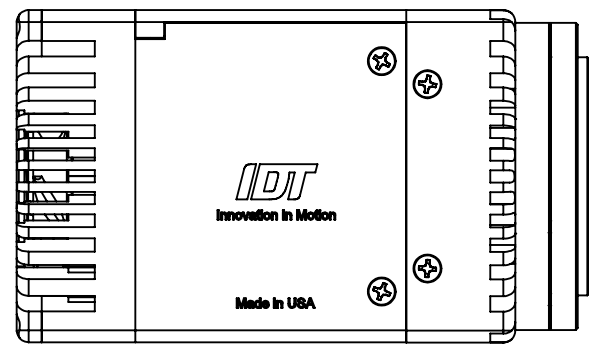
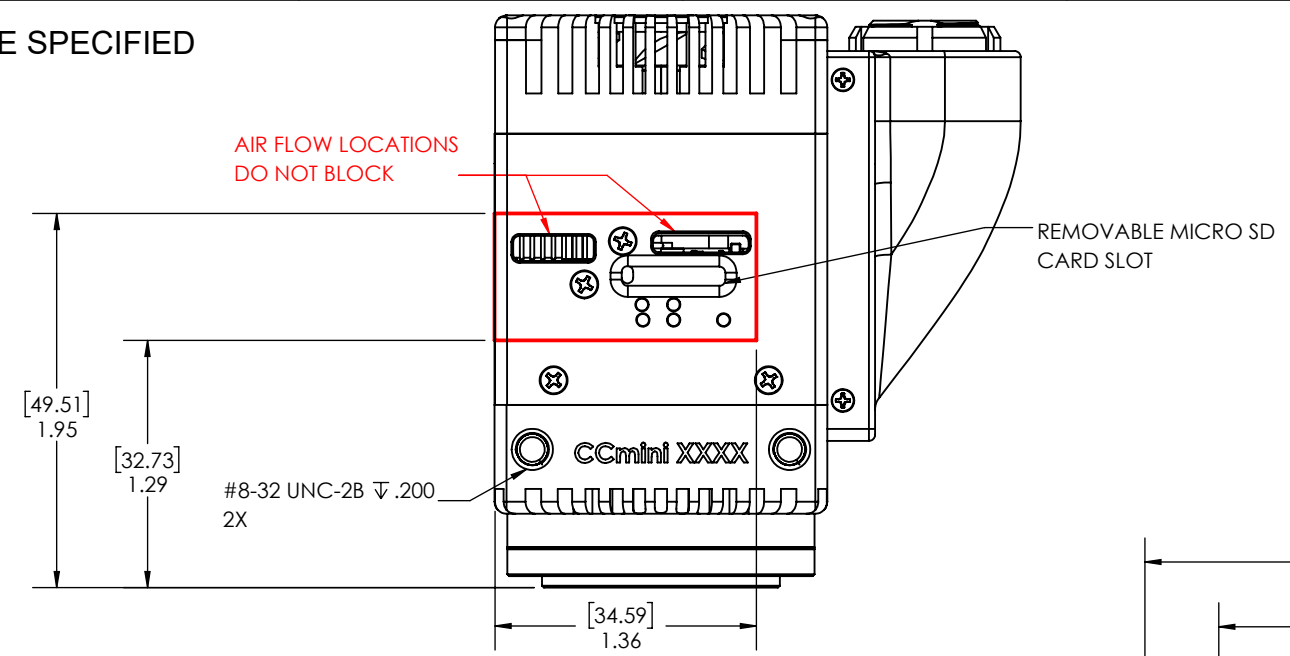


NOTES: UNLESS OTHERWISE SPECIFIED

1. WEIGHT: .7 lb [.32 kg]

| REVISIONS |      |       |                     |           |            |
|-----------|------|-------|---------------------|-----------|------------|
| ZONE      | REV. | ECO # | DESCRIPTION         | DATE      | APPROVED   |
|           | A    |       | INITIAL RELEASE     | 9/13/2022 | B. MOAK    |
|           | B    | 0928  | PINOUT TABLES ADDED | 6/28/2023 | D. CHURKIN |

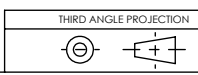


PROPRIETARY AND CONFIDENTIAL  
 THE INFORMATION CONTAINED IN THIS DRAWING IS THE SOLE PROPERTY OF INTEGRATED DESIGN TOOLS, INC. ANY REPRODUCTION IN PART OR AS A WHOLE WITHOUT THE WRITTEN PERMISSION OF INTEGRATED DESIGN TOOLS, INC. IS PROHIBITED.



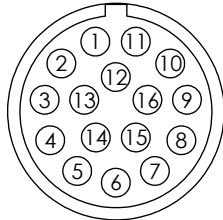
|   |                                    |                     |
|---|------------------------------------|---------------------|
| UNLESS OTHERWISE SPECIFIED:<br>DIMENSIONS ARE IN INCHES<br>TOLERANCES ON:<br>FRACTIONAL DECIMAL ANGULAR<br>± 1/16 .X ± .03 ± 1°<br>.XX ± .01<br>.XXX ± .005 | PROJECT NAME:<br>CRASH CAM MINI 8G | DATE:<br>09/13/2022 |
| DRAWN:<br>B. MOAK   | CHECKED:<br>D. ATOL                | DATE:<br>09/13/2022 |
| MECH. ENGINEER:<br>B. MOAK  | ELECTRICAL ENGINEER:<br>B. MOAK    | DATE:<br>09/13/2022 |
| OPERATION MANAGER:  | PROGRAM MANAGER:                   |                     |

|  |                       |              |
|--|-----------------------|--------------|
| INTEGRATED DESIGN TOOLS, INC<br>1 WEST MOUNTAIN STREET SUITE 3<br>PASADENA, CA 91103 |                       |              |
| TITLE:<br>FINAL ASSEMBLY, CRASH CAM MINI, LEMO, C-MOUNT, ICD                         |                       |              |
| SIZE:<br><b>B</b>  | DWG. NO.<br>1534-0100 | REV<br>B     |
| SCALE: 1:1   | DATE: 7/19/2023       | SHEET 1 OF 2 |



A

A



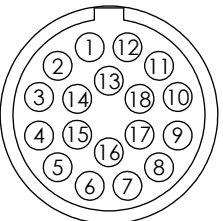
| 16-PIN LEMO CONNECTOR B-SERIES ECG.2B.316.CLL |               |  |
|---|---------------|--|
| PIN   | SIGNAL        | TECHNICAL DESCRIPTION                      |
| 1   | MCT4 / ETH 4  | 100 Ω ± 15% , GIGABIT ETHERNET (1000BaseT) |
| 2   | MCT 5 / ETH 5 | 100 Ω ± 15% , GIGABIT ETHERNET (1000BaseT) |
| 3   | MCT 6 / ETH 7 | 100 Ω ± 15% , GIGABIT ETHERNET (1000BaseT) |
| 4   | MCT 7 / ETH 8 | 100 Ω ± 15% , GIGABIT ETHERNET (1000BaseT) |
| 5   | READY OUT     | DIRECTION = INPUT, LEVEL = 5V              |
| 6   | TRIG IN       | DIRECTION = OUTPUT, LEVEL = 5V             |
| 7   | N/C           |  |
| 8   | MCT 0 / ETH 1 | 100 Ω ± 15% , GIGABIT ETHERNET (1000BaseT) |
| 9   | MCT 1 / ETH 2 | 100 Ω ± 15% , GIGABIT ETHERNET (1000BaseT) |
| 10  | MCT 2 / ETH 3 | 100 Ω ± 15% , GIGABIT ETHERNET (1000BaseT) |
| 11  | MCT 3 / ETH 6 | 100 Ω ± 15% , GIGABIT ETHERNET (1000BaseT) |
| 12  | + CAM POWER   | 24 VDC                                     |
| 13  | SYNC OUT      | DIRECTION = INPUT, LEVEL = 5V              |
| 14  | SYNC IN       | DIRECTION = OUTPUT, LEVEL = 5V             |
| 15  | N/C           |  |
| 16  | GND           | GROUND, DRAIN                              |

B

B

C

C



| 18-PIN LEMO CONNECTOR B-SERIES ECG.2B.318.CLV |              |  |
|---|--------------|--|
| PIN   | SIGNAL       | TECHNICAL DESCRIPTION                      |
| 1   | MCT1 / ETH1  | 100 Ω ± 15% , GIGABIT ETHERNET (1000BaseT) |
| 2   | MCT7 / ETH7  | 100 Ω ± 15% , GIGABIT ETHERNET (1000BaseT) |
| 3   | MCT3 / ETH3  | 100 Ω ± 15% , GIGABIT ETHERNET (1000BaseT) |
| 4   | MCT2 / ETH2  | 100 Ω ± 15% , GIGABIT ETHERNET (1000BaseT) |
| 5   | MCT4 / ETH4  | 100 Ω ± 15% , GIGABIT ETHERNET (1000BaseT) |
| 6   | SYNC OUT CAM | TTL 5V, 10mA MAX                           |
| 7   | +CAM PWR IN  | 24 VDC                                     |
| 8   | +CAM PWR IN  | 24 VDC                                     |
| 9   | SYNC IN+     | RS485+                                     |
| 10  | SYNC IN-     | RS485-                                     |
| 11  | GND          | GROUND, DRAIN                              |
| 12  | GND          | GROUND, DRAIN                              |
| 13  | MCT0 / ETH0  | 100 Ω ± 15% , GIGABIT ETHERNET (1000BaseT) |
| 14  | MCT6 / ETH6  | 100 Ω ± 15% , GIGABIT ETHERNET (1000BaseT) |
| 15  | MCT5 / ETH5  | 100 Ω ± 15% , GIGABIT ETHERNET (1000BaseT) |
| 16  | READY CAM    | TTL 5V, 10mA MAX                           |
| 17  | TRIG IN-     | RS485-                                     |
| 18  | TRIG IN+     | RS485+                                     |

D

D

E

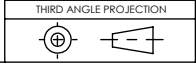
E

**RS485 TRIGGER/SYNC SIGNALS**

| PIN | VOLTAGE    | LOGICAL FUNCTION |
|-----|------------|------------------|
| -   | HIGH (+5V) | SIGNAL PASSIVE   |
| +   | LOW (0V)   |                  |
| -   | LOW (0V)   | SIGNAL ACTIVE    |
| +   | HIGH (+5V) |                  |

CAMERA: ACCEPTANCE OF 3.3V OR 5V LOGICAL SIGNALS

- REQUIRED CAMERA TRIGGER FUNCTIONALITY:
- RS485 DIFFERENTIAL SIGNAL AT PIN 17/18
  - EDGE LOW 3.3V OR 5V AT PIN 17 VERSUS GND
  - CONTACT CLOSURE OR OPTOCOUPLER AT PIN 17 VERSUS GND
  - EDGE HIGH 3.3V OR 5V AT PIN 18 VERSUS GND



|   |  |   |   |
|---|--|---|---|
| <b>PROPRIETARY AND CONFIDENTIAL</b><br><small>THE INFORMATION CONTAINED IN THIS DRAWING IS THE SOLE PROPERTY OF INTEGRATED DESIGN TOOLS, INC. ANY REPRODUCTION IN PART OR AS A WHOLE WITHOUT THE WRITTEN PERMISSION OF INTEGRATED DESIGN TOOLS, INC. IS PROHIBITED.</small> | PROJECT NAME:<br>CRASH CAM MINI 8G   | <b>INTEGRATED DESIGN TOOLS, INC</b><br><small>1 WEST MOUNTAIN STREET SUITE 3 PASADENA, CA 91103</small> |   |
|   | UNLESS OTHERWISE SPECIFIED:<br>DIMENSIONS ARE IN INCHES<br>TOLERANCES ON:<br>FRACTIONAL DECIMAL ANGULAR<br>± 1/16 X ± .03 ± 1°<br>.XX ± .01<br>.XXX ± .005 | TITLE:<br><b>FINAL ASSEMBLY, CRASH CAM MINI, LEMO, C-MOUNT, ICD</b>                                     |   |
| <b>DO NOT SCALE DRAWING</b>   | DWG. NO.<br>1534-0100  | REV<br>B  | SCALE: 1:2<br>DATE: 6/28/2023<br>SHEET 2 OF 2 |