

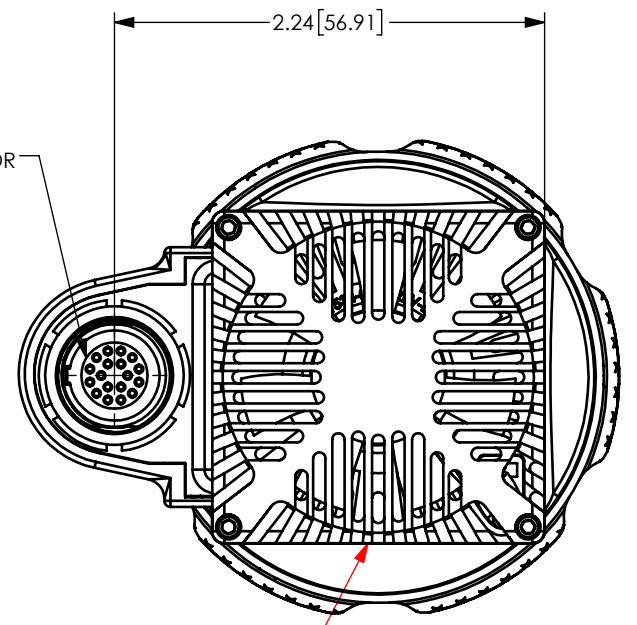
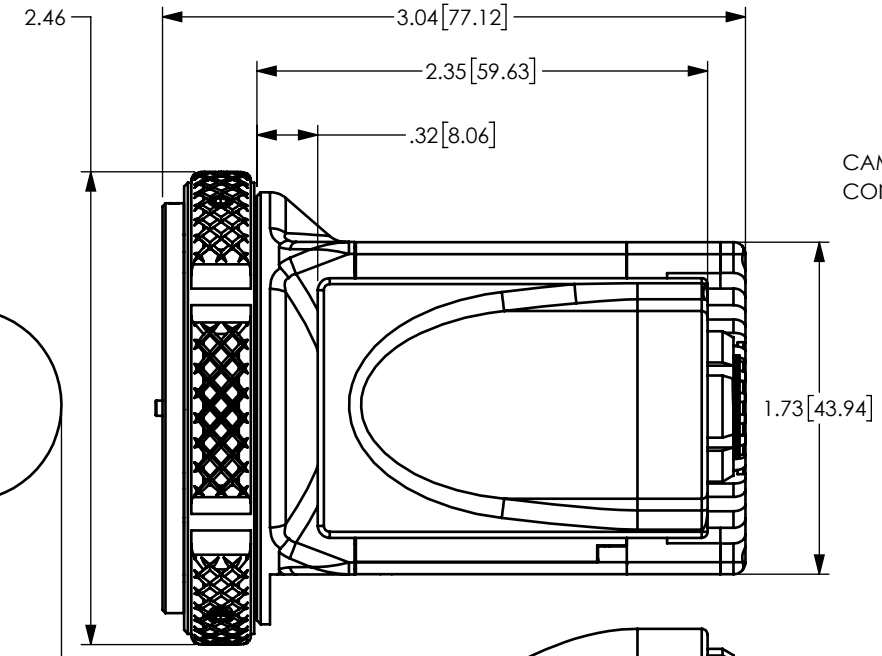
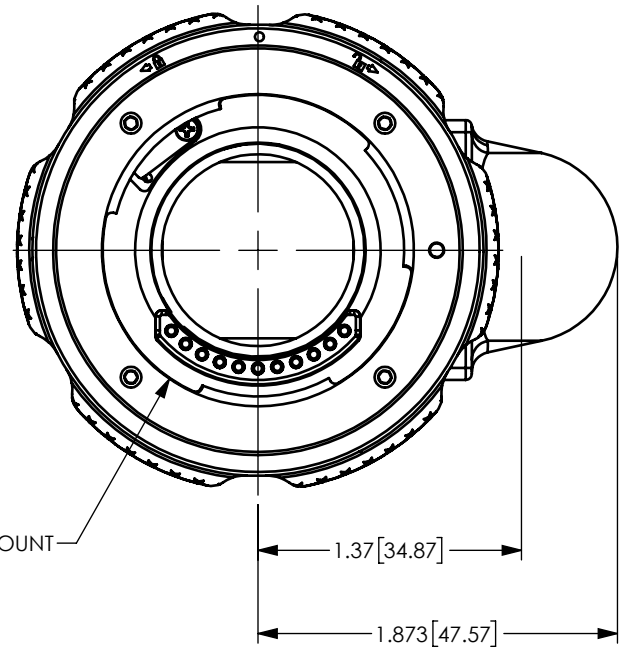
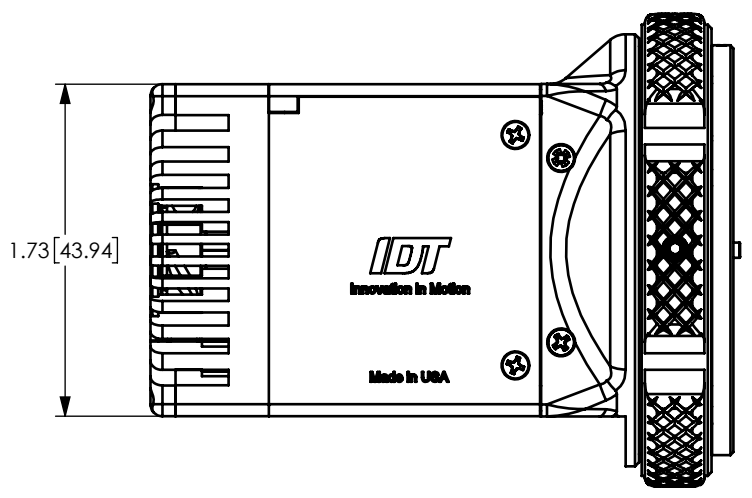
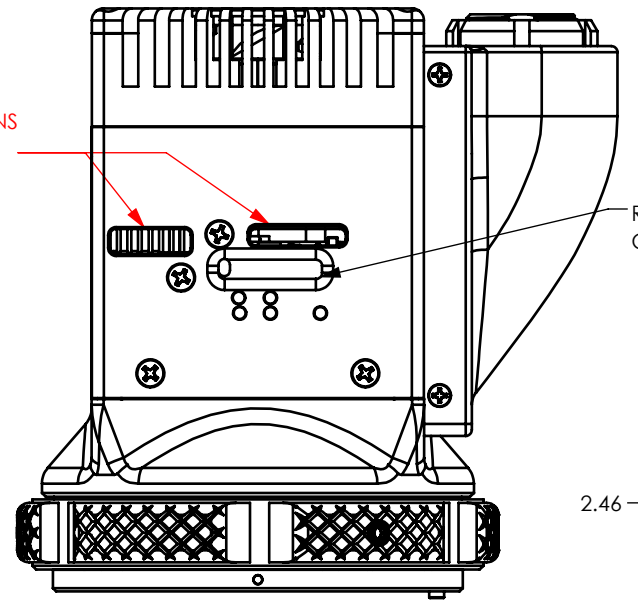
NOTES: UNLESS OTHERWISE SPECIFIED

1. WEIGHT:

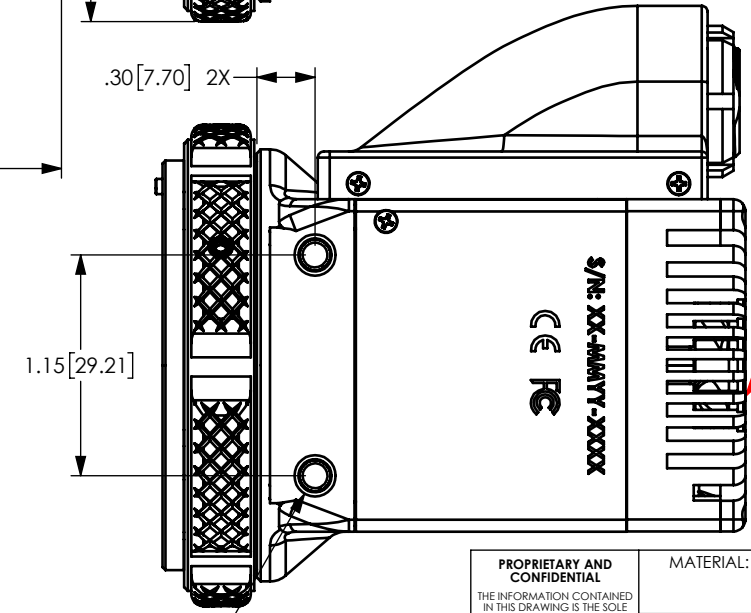
REVISIONS					
ZONE	REV	ECO #	DESCRIPTION	DATE	APPROVED
	A		INITIAL RELEASE	6/15/2023	D. CHURKIN

AIR FLOW LOCATIONS  
DO NOT BLOCK

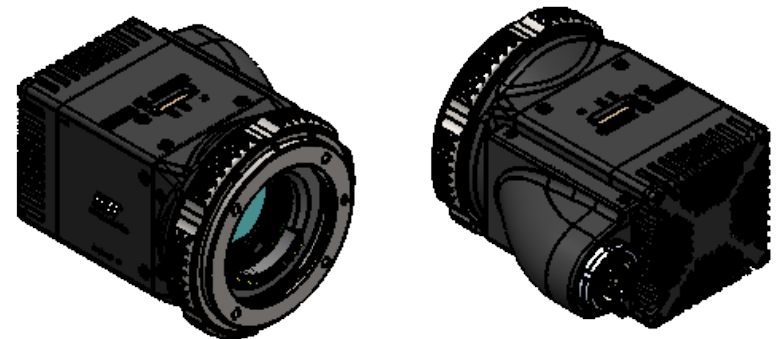
REMOVABLE MICRO SD  
CARD SLOT



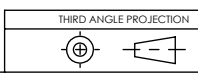
AIR FLOW LOCATION  
DO NOT BLOCK  
ALL FOUR SIDES



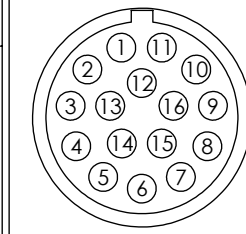
2X  $\phi$  .17  $\nabla$  .200  
 $\nabla$   $\phi$  .215 X 120°, NEAR SIDE  
 TAP FOR #8-32 HELICOIL INSERT = 1.0 \* DIA.



PROPRIETARY AND CONFIDENTIAL THE INFORMATION CONTAINED IN THIS DRAWING IS THE SOLE PROPERTY OF INTEGRATED DESIGN TOOLS, INC. ANY REPRODUCTION IN PART OR AS A WHOLE WITHOUT THE WRITTEN PERMISSION OF INTEGRATED DESIGN TOOLS, INC. IS PROHIBITED.	MATERIAL:	FINISH:	PROJECT NAME: CRASH CAM MINI LEMO	DATE: 06/15/2023	INTEGRATED DESIGN TOOLS, INC 1 WEST MOUNTAIN STREET SUITE 3 PASADENA, CA 91103
	UNLESS OTHERWISE SPECIFIED: DIMENSIONS ARE IN INCHES TOLERANCES ON: FRACTIONAL DECIMAL ANGULAR ± 1/16 .X ± .03 ± 1° .XX ± .01 .XXX ± .005			DRAWN: D. CHURKIN CHECKED: D. ATOL MECH. ENGINEER: B. MOAK ELECTRICAL ENGINEER: OPERATIONS MANAGER: PROGRAM MANAGER:	
DO NOT SCALE DRAWING			SIZE: B	DWG. NO. 1534-0110	REV A
			SCALE: 1:2	DATE: 06/15/2023	SHEET 1 OF 2



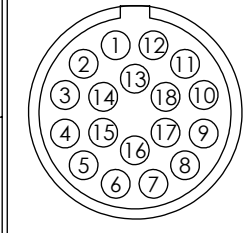
A



16-PIN LEMO CONNECTOR		
PIN	SIGNAL	TECHNICAL DESCRIPTION
1	MCT 4 / ETH 4	100 Ω ± 15% , GIGABIT ETHERNET (1000BaseT)
2	MCT 5 / ETH 5	100 Ω ± 15% , GIGABIT ETHERNET (1000BaseT)
3	MCT 6 / ETH 7	100 Ω ± 15% , GIGABIT ETHERNET (1000BaseT)
4	MCT 7 / ETH 8	100 Ω ± 15% , GIGABIT ETHERNET (1000BaseT)
5	READY OUT	DIRECTION = INPUT, LEVEL = 5V
6	TRIG IN	DIRECTION = OUTPUT, LEVEL = 5V
7	N/C	
8	MCT 0 / ETH 1	100 Ω ± 15% , GIGABIT ETHERNET (1000BaseT)
9	MCT 1 / ETH 2	100 Ω ± 15% , GIGABIT ETHERNET (1000BaseT)
10	MCT 2 / ETH 3	100 Ω ± 15% , GIGABIT ETHERNET (1000BaseT)
11	MCT 3 / ETH 6	100 Ω ± 15% , GIGABIT ETHERNET (1000BaseT)
12	+ CAM POWER	24 VDC
13	SYNC OUT	DIRECTION = INPUT, LEVEL = 5V
14	SYNC IN	DIRECTION = OUTPUT, LEVEL = 5V
15	N/C	
16	GND	GROUND, DRAIN

B

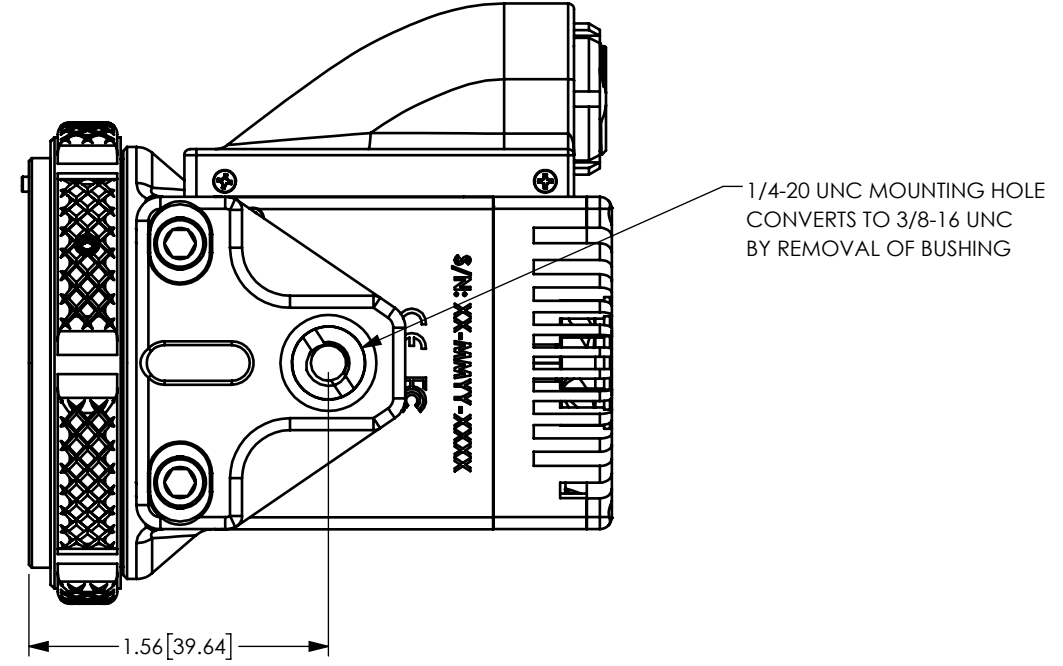
C



18-PIN LEMO CONNECTOR		
PIN	SIGNAL	TECHNICAL DESCRIPTION
1	MCT1 / ETH1	100 Ω ± 15% , GIGABIT ETHERNET (1000BaseT)
2	MCT7 / ETH7	100 Ω ± 15% , GIGABIT ETHERNET (1000BaseT)
3	MCT3 / ETH3	100 Ω ± 15% , GIGABIT ETHERNET (1000BaseT)
4	MCT2 / ETH2	100 Ω ± 15% , GIGABIT ETHERNET (1000BaseT)
5	MCT4 / ETH4	100 Ω ± 15% , GIGABIT ETHERNET (1000BaseT)
6	SYNC OUT CAM	TTL 5V, 10mA MAX
7	+CAM PWR IN	24 VDC
8	+CAM PWR IN	24 VDC
9	SYNC IN+	RS485+
10	SYNC IN-	RS485-
11	GND	GROUND, DRAIN
12	GND	GROUND, DRAIN
13	MCT0 / ETH0	100 Ω ± 15% , GIGABIT ETHERNET (1000BaseT)
14	MCT6 / ETH6	100 Ω ± 15% , GIGABIT ETHERNET (1000BaseT)
15	MCT5 / ETH5	100 Ω ± 15% , GIGABIT ETHERNET (1000BaseT)
16	READY CAM	TTL 5V, 10mA MAX
17	TRIG IN-	RS485-
18	TRIG IN+	RS485+

D

E



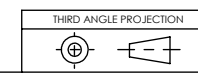
**RS485 TRIGGER/SYNC SIGNALS**

PIN	VOLTAGE	LOGICAL FUNCTION
-	HIGH (+5V)	SIGNAL PASSIVE
+	LOW (0V)	
-	LOW (0V)	SIGNAL ACTIVE
+	HIGH (+5V)	

CAMERA: ACCEPTANCE OF 3.3V OR 5V LOGICAL SIGNALS

**REQUIRED CAMERA TRIGGER FUNCTIONALITY:**

- RS485 DIFFERENTIAL SIGNAL AT PIN 17/18
- EDGE LOW 3.3V OR 5V AT PIN 17 VERSUS GND
- CONTACT CLOSURE OR OPTOCOUPLER AT PIN 17 VERSUS GND
- EDGE HIGH 3.3V OR 5V AT PIN 18 VERSUS GND



<b>PROPRIETARY AND CONFIDENTIAL</b> <small>THE INFORMATION CONTAINED IN THIS DRAWING IS THE SOLE PROPERTY OF INTEGRATED DESIGN TOOLS, INC. ANY REPRODUCTION IN PART OR AS A WHOLE WITHOUT THE WRITTEN PERMISSION OF INTEGRATED DESIGN TOOLS, INC. IS PROHIBITED.</small>	PROJECT NAME: <b>CRASH CAM MINI LEMO</b>	<b>INTEGRATED DESIGN TOOLS, INC</b> <small>1 WEST MOUNTAIN STREET SUITE 3 PASADENA, CA 91103</small>
	UNLESS OTHERWISE SPECIFIED: DIMENSIONS ARE IN INCHES TOLERANCES ON: FRACTIONAL DECIMAL ANGULAR ± 1/16 X ± .03 ± 1° .XX ± .01 .XXX ± .005	TITLE: <b>CRASH CAM MINI 8G, ECMFT MOUNT ASSY, ICD</b>
DO NOT SCALE DRAWING	SIZE: <b>B</b>	DWG. NO. <b>1534-0110</b> REV <b>A</b>