

NOTES: UNLESS OTHERWISE SPECIFIED

1. ALL FEATURES AND DIMENSIONS ARE TYPICAL OF ALL CONFIGURATIONS UNLESS OTHERWISE INDICATED.

REVISIONS					
ZONE	REV.	ECO #	DESCRIPTION	DATE	APPROVED
	A		INITIAL RELEASE	3/11/2020	D. ATOL



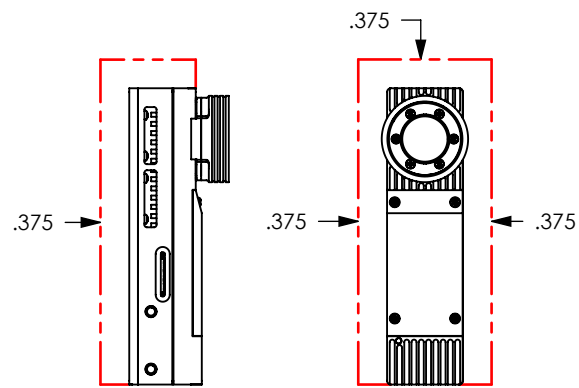
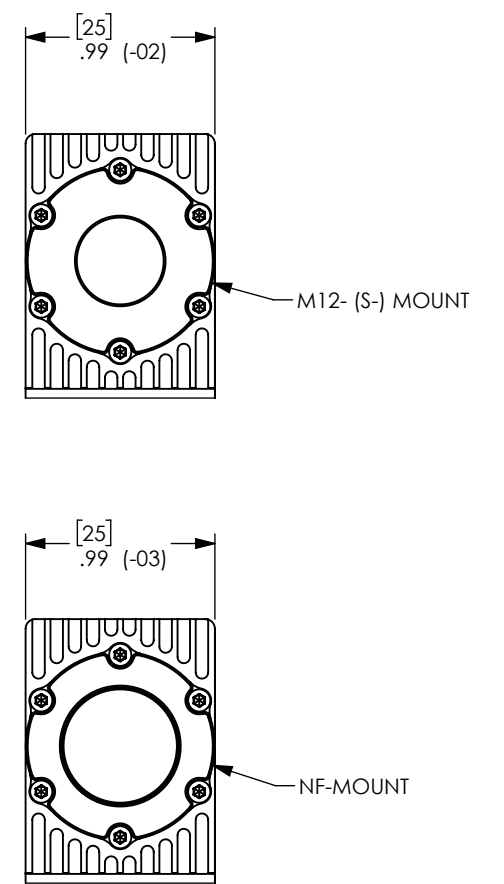
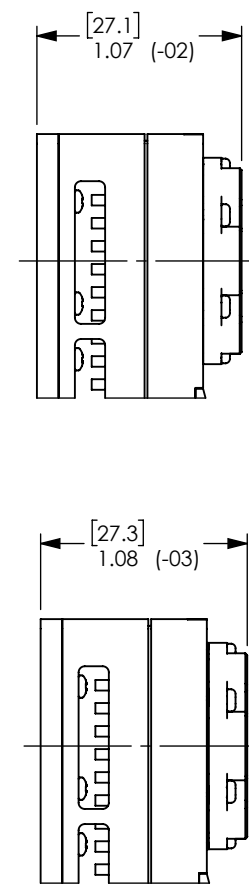
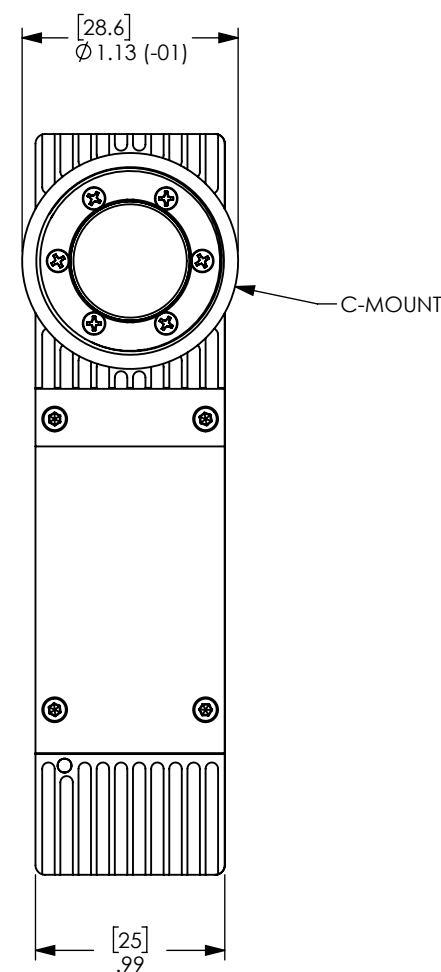
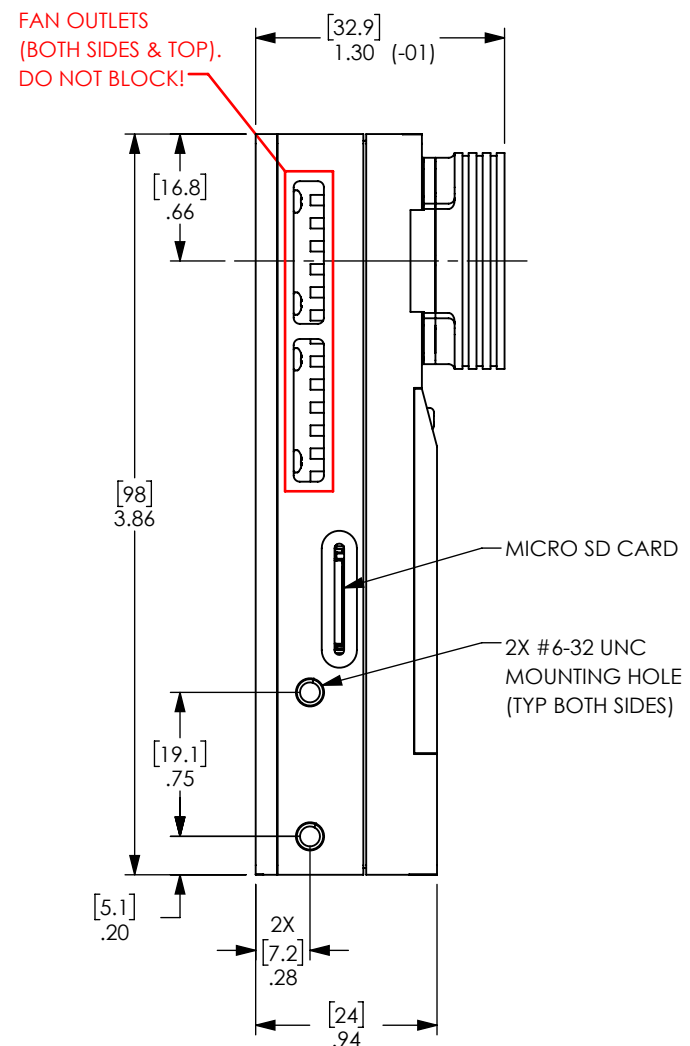
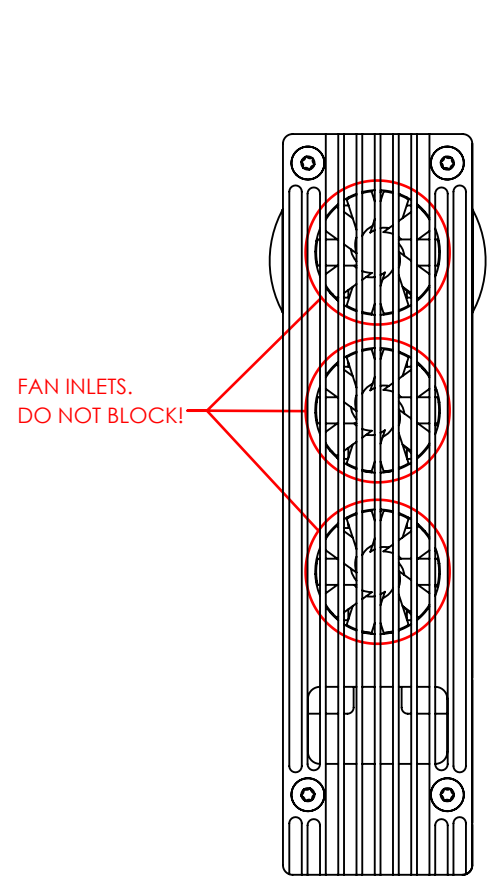
1504-0100-01
C-MOUNT



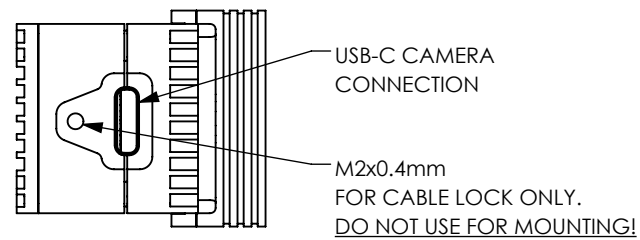
1504-0100-02
M12- (S-) MOUNT



1504-0100-03
NF-MOUNT



MINIMUM CLEARANCES
ALL CONFIGURATIONS



<p>PROPRIETARY AND CONFIDENTIAL</p> <p>THE INFORMATION CONTAINED IN THIS DRAWING IS THE SOLE PROPERTY OF INTEGRATED DESIGN TOOLS, INC. ANY REPRODUCTION IN PART OR AS A WHOLE WITHOUT THE WRITTEN PERMISSION OF INTEGRATED DESIGN TOOLS, INC. IS PROHIBITED.</p>	MATERIAL: N/A	FINISH: N/A	PROJECT NAME: CRASH CAM STICK	<p>INTEGRATED DESIGN TOOLS, INC 1 WEST MOUNTAIN STREET SUITE 3 PASADENA, CA 91103</p>
	<p>UNLESS OTHERWISE SPECIFIED: DIMENSIONS ARE IN INCHES TOLERANCES ON: FRACTIONAL DECIMAL ANGULAR ± 1/16 .X ± .03 ± 1° .XX ± .01 .XXX ± .005</p>			
<p>DO NOT SCALE DRAWING</p>				<p>TITLE: ICD, FINAL ASSEMBLY</p>
<p>SIZE: B</p>		<p>DWG. NO. 1504-0100</p>		<p>REV A</p>
<p>SCALE: 1:1</p>		<p>DATE: 3/12/2020</p>		<p>SHEET 1 OF 1</p>