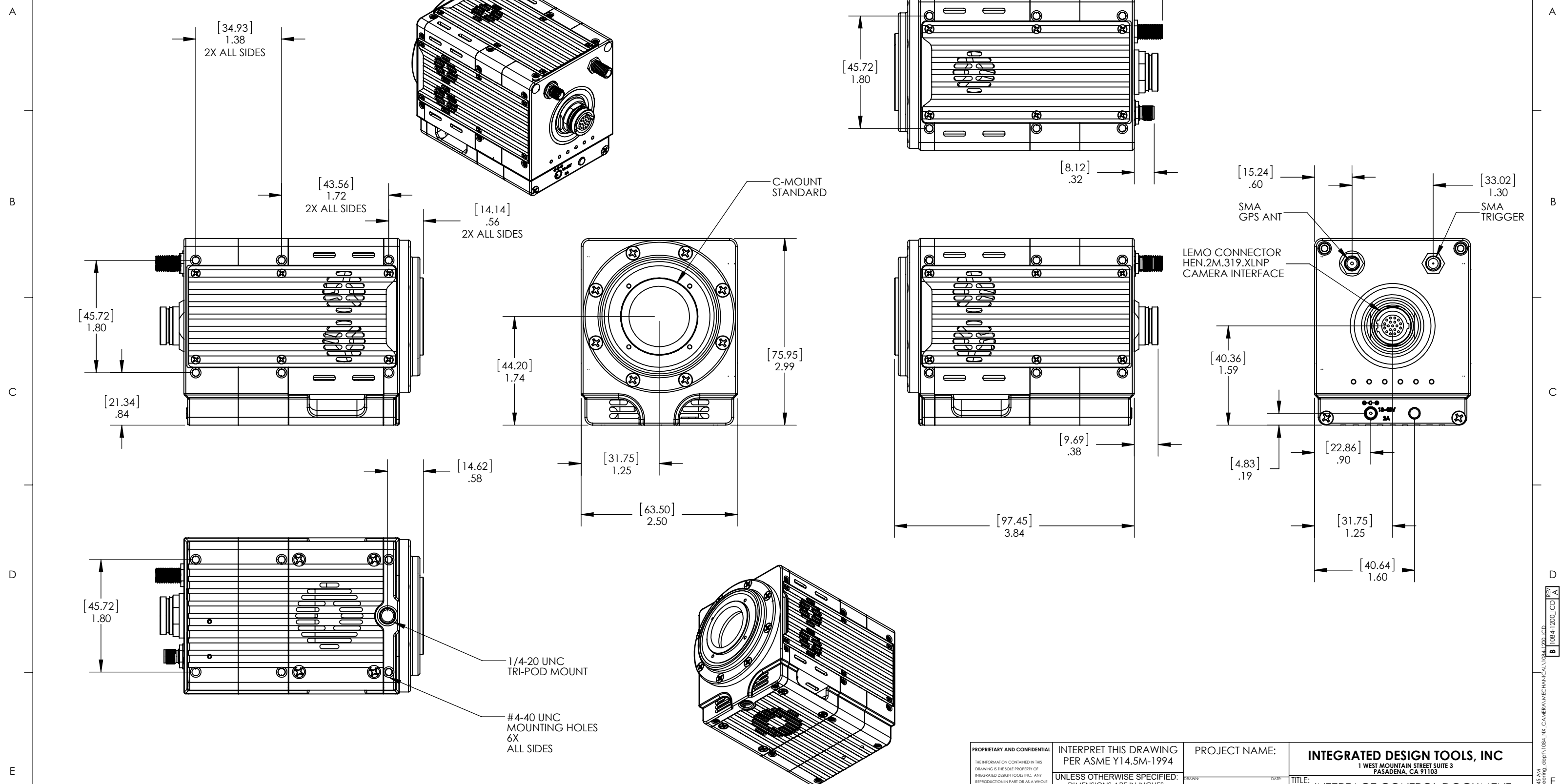


# INTERFACE CONTROL DOCUMENT

REVISIONS				
ZONE	REV.	DESCRIPTION	DATE	APPROVED
	A	CHANGED ALL DISPLAY STATES OF ALL VIEWS TO WIRE FRAME. UPDATED FOR LEMO AND SMA CONNECTORS.	9/13/2012	B. MOAK



THIRD ANGLE PROJECTION	NEXT ASSY	USED ON
	APPLICATION	

<small>PROPRIETARY AND CONFIDENTIAL</small> <small>THE INFORMATION CONTAINED IN THIS DRAWING IS THE SOLE PROPERTY OF INTEGRATED DESIGN TOOLS, INC. ANY REPRODUCTION IN PART OR AS A WHOLE WITHOUT THE WRITTEN PERMISSION OF INTEGRATED DESIGN TOOLS, INC. IS PROHIBITED.</small>	INTERPRET THIS DRAWING PER ASME Y14.5M-1994 UNLESS OTHERWISE SPECIFIED: DIMENSIONS ARE IN INCHES TOLERANCES ON: FRACTIONAL DECIMAL ANGULAR ± 1/16 .X ± .1 ± 1° .XX ± .03 .XXX ± .010	PROJECT NAME: INTEGRATED DESIGN TOOLS, INC 1 WEST MOUNTAIN STREET SUITE 3 PASADENA, CA 91103	
	DO NOT SCALE DRAWING	DATE: 2/12/2012 BRYAN MOAK 2/12/2012 ERIC HEININGER 2/12/2012 LUIZ LOURENCO 2/12/2012	TITLE: INTERFACE CONTROL DOCUMENT, NX-AIR CAMERA
	SCALE: 2:3	DWG. NO. 1084-1200 ICD	REV A
	SHEET 1 OF 2	DATE: 3/4/2013	SHEET 1 OF 2

8

7

6

5

4

3

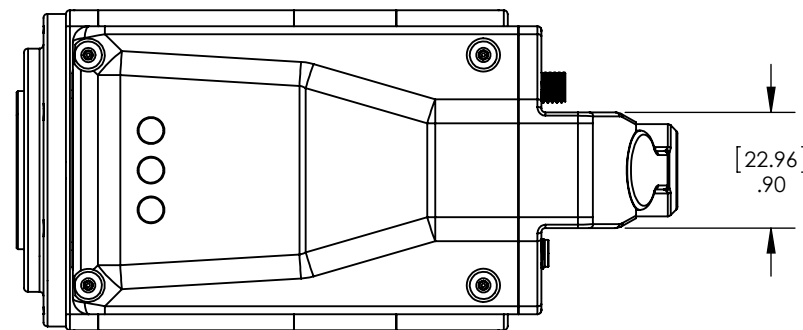
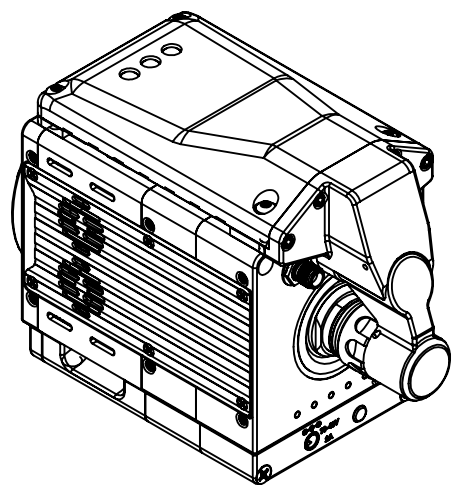
2

1

# NX-AIR WITH WIRELESS MODULE

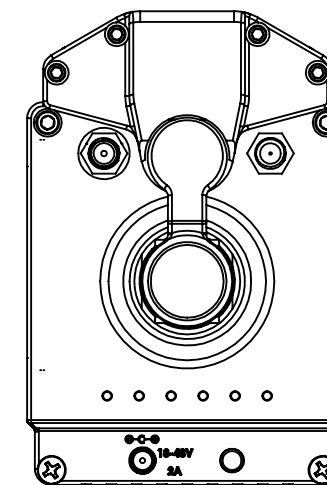
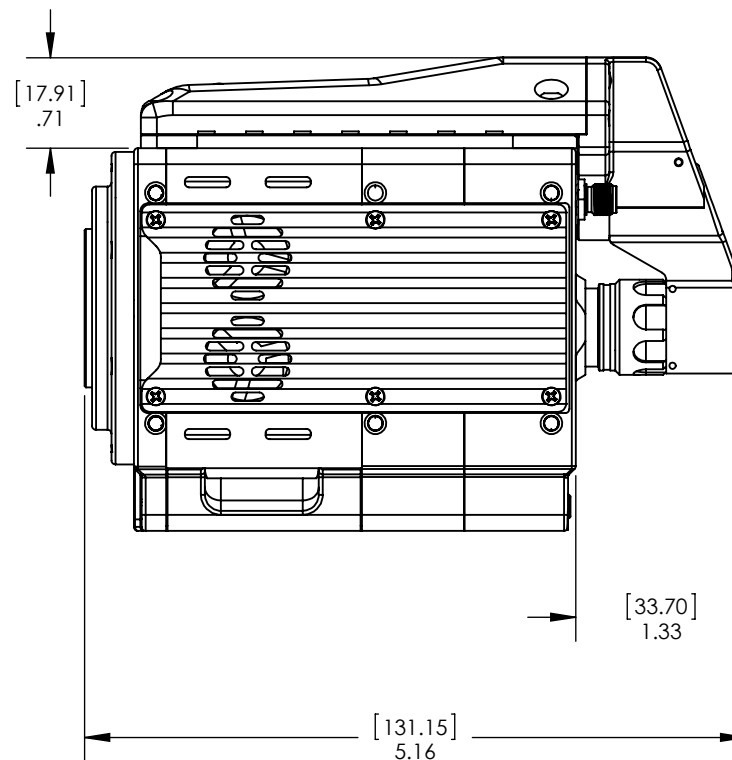
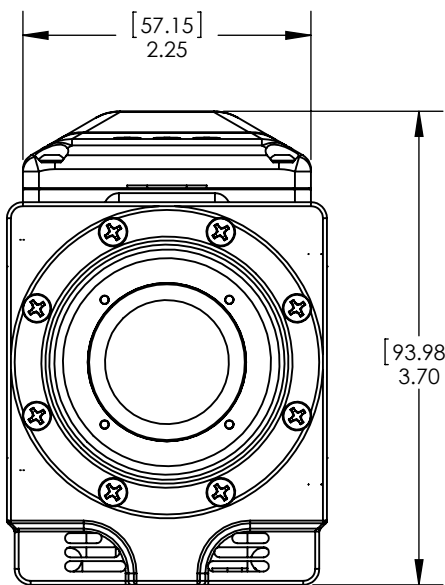
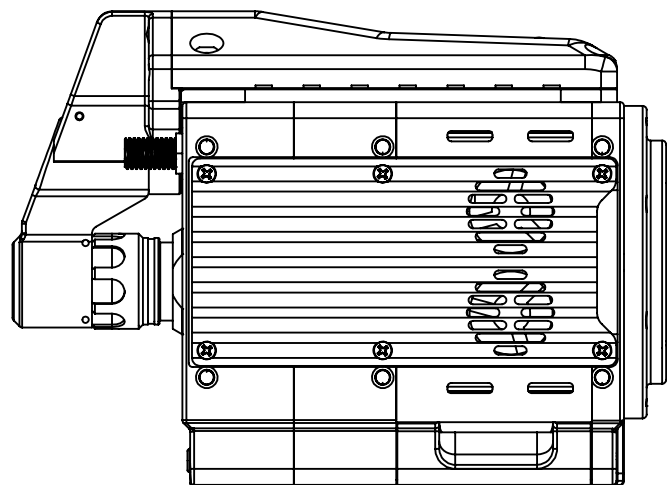
A

A



B

B

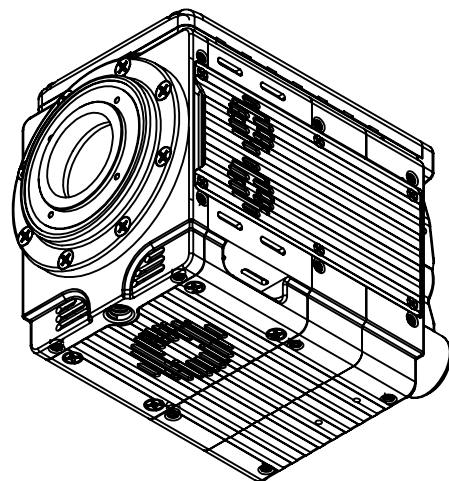


C

C

D

D



E

E

8

7

6

5

4

3

2

1



**INTEGRATED DESIGN TOOLS, INC**  
 1 WEST MOUNTAIN STREET SUITE 3  
 PASADENA, CA 91103

SIZE: <b>B</b>	DWG. NO. <b>1084-1200 ICD</b>	REV <b>A</b>
SCALE: 2:3	DATE: 3/4/2013	SHEET 2 OF 2