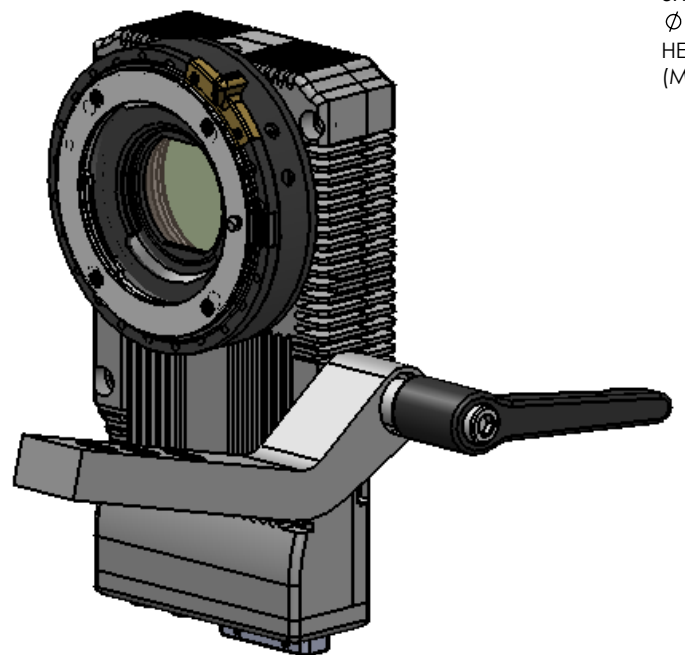
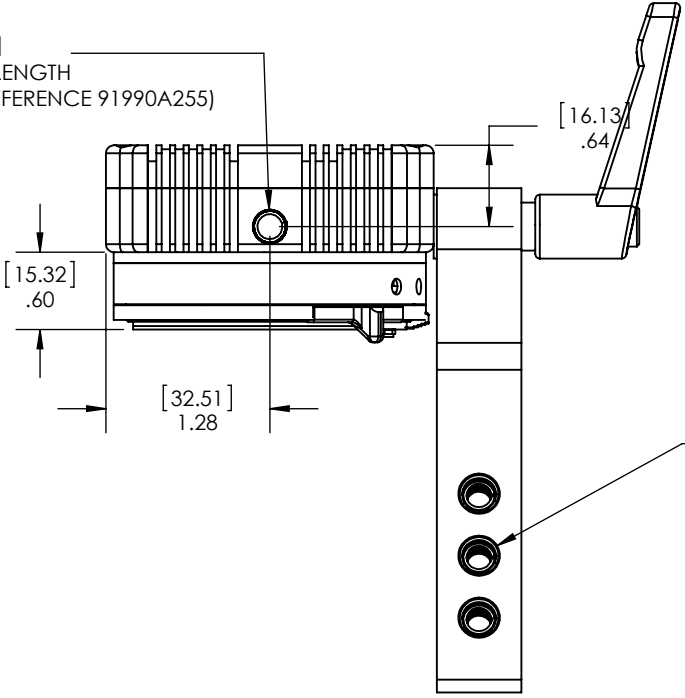


8 7 6 5 4 3 2 1

REVISIONS					
ZONE	REV.	ECO #	DESCRIPTION	DATE	APPROVED
	A		INITIAL RELEASE	2/23/2016	A. A
	B	ECO-16-025	RELEASE FRO PRODUCTION, OPTIONAL MOUNTS SHOWN, SEE SHEET 2.	9/23/2016	N. PINOS



3X
 $\varnothing .27[6.76] \nabla .30[7.62]$
 HELICOIL 1/4-20, 1/4 LENGTH
 (MCMaster-CARR REFERENCE 91990A255)



3X
 $\varnothing .27[6.76]$ THRU ALL
 HELICOIL 1/4-20, 1/4 LENGTH
 (MCMaster-CARR REFERENCE 91990A255)

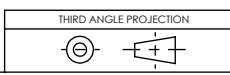
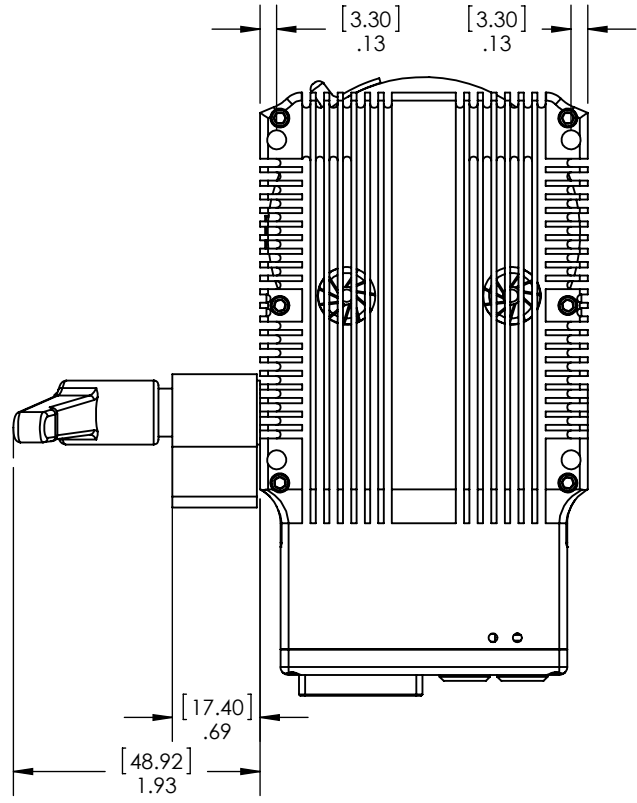
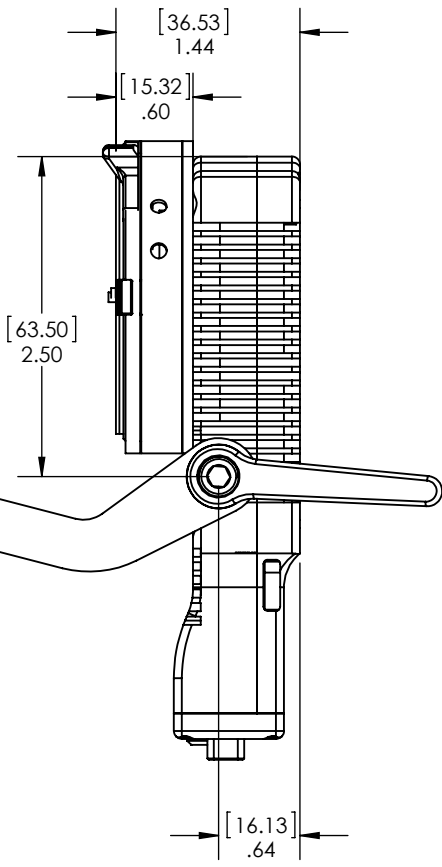
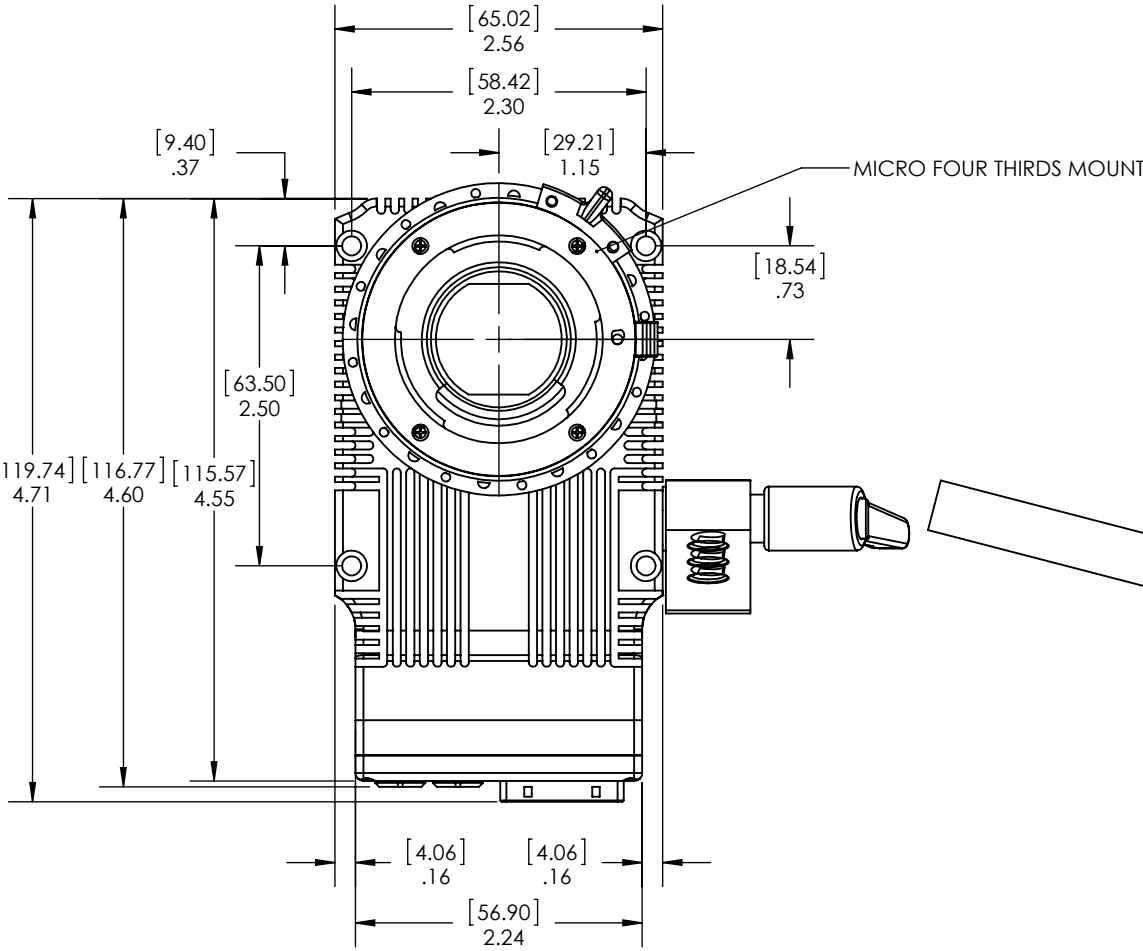
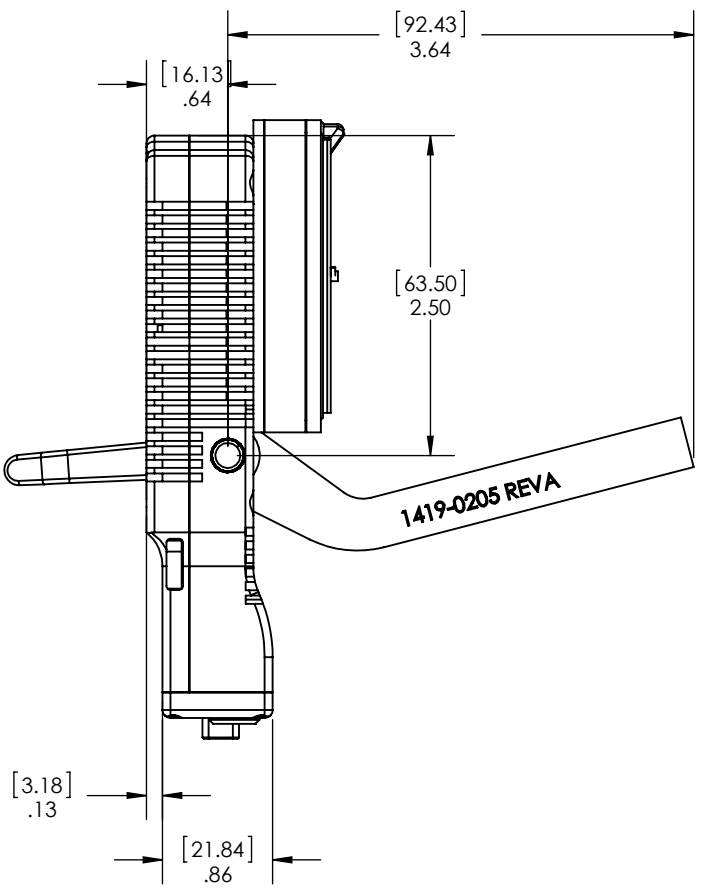
A

B

C

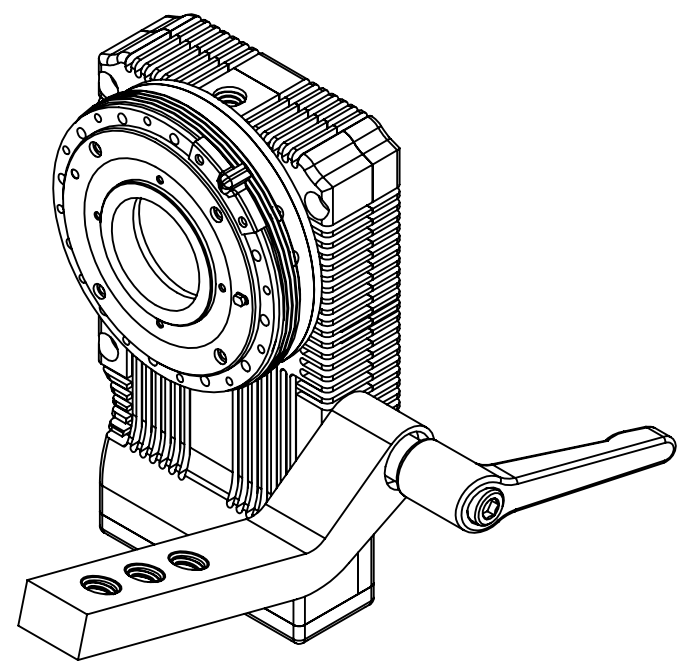
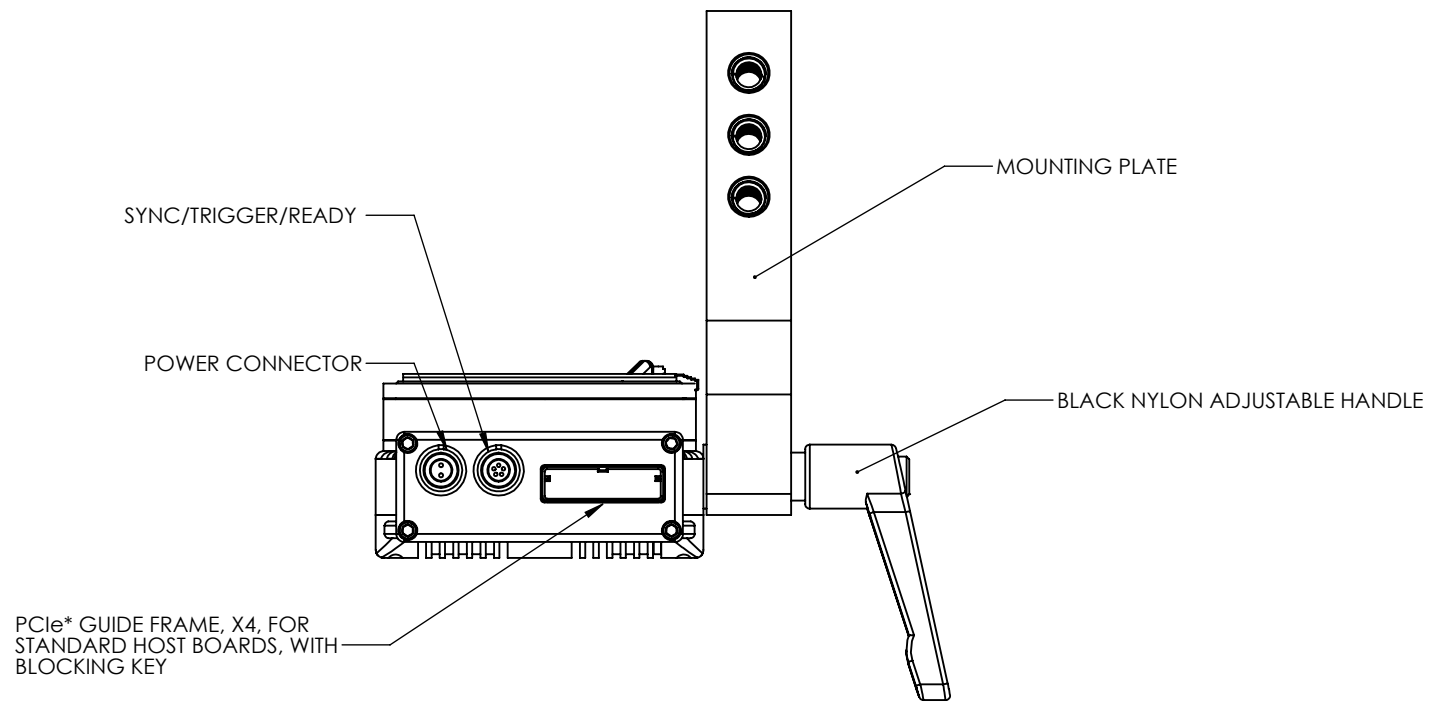
D

E

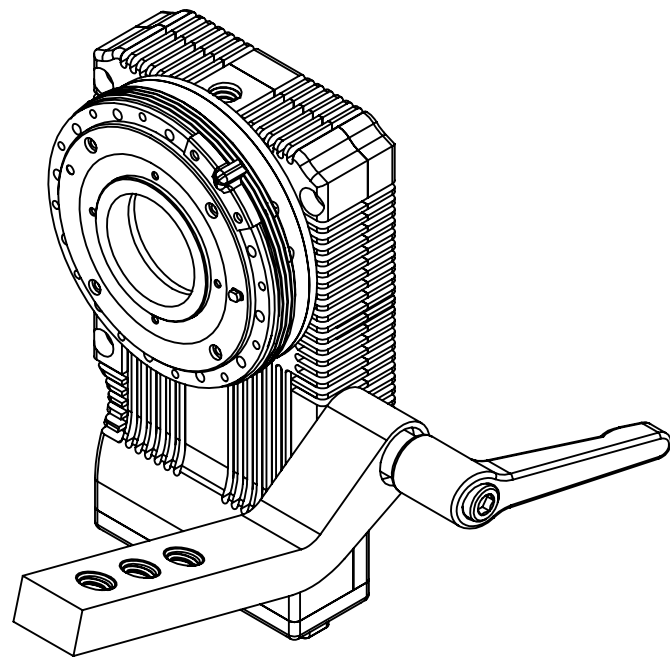


PROPRIETARY AND CONFIDENTIAL <small>THE INFORMATION CONTAINED IN THIS DRAWING IS THE SOLE PROPERTY OF INTEGRATED DESIGN TOOLS, INC. ANY REPRODUCTION IN PART OR AS A WHOLE WITHOUT THE WRITTEN PERMISSION OF INTEGRATED DESIGN TOOLS, INC. IS PROHIBITED.</small>	MATERIAL:	FINISH:	PROJECT NAME: XSTREAM CAMERA	INTEGRATED DESIGN TOOLS, INC <small>1 WEST MOUNTAIN STREET SUITE 3 PASADENA, CA 91103</small>		
	<small>UNLESS OTHERWISE SPECIFIED: DIMENSIONS ARE IN INCHES TOLERANCES ON:</small>			<small>DATE:</small> N. PINOS 8/5/2016 <small>CHECKED:</small> N. PINOS 8/5/2016 <small>MECH. ENGINEER:</small> A. ANDRUYKOV 6/16/2016 <small>ELECTRICAL ENGINEER:</small> <small>OPERATION MANAGER:</small> <small>PROGRAM MANAGER:</small> L. LOURENCO 6/16/2016	<small>TITLE:</small> INTERFACE DOCUMENT CONTROL (ICD), XSTREAM CAMERA	
	<small>FRACTIONAL DECIMAL ANGULAR</small> $\pm 1/16$.X $\pm .03$ $\pm 1^\circ$.XX $\pm .01$.XXX $\pm .005$			<small>SIZE:</small> B	<small>DWG. NO.</small> 1419-0100	<small>REV</small> B
	DO NOT SCALE DRAWING			<small>SCALE: 1:5</small>	<small>DATE: 2/8/2017</small>	<small>SHEET 1 OF 2</small>

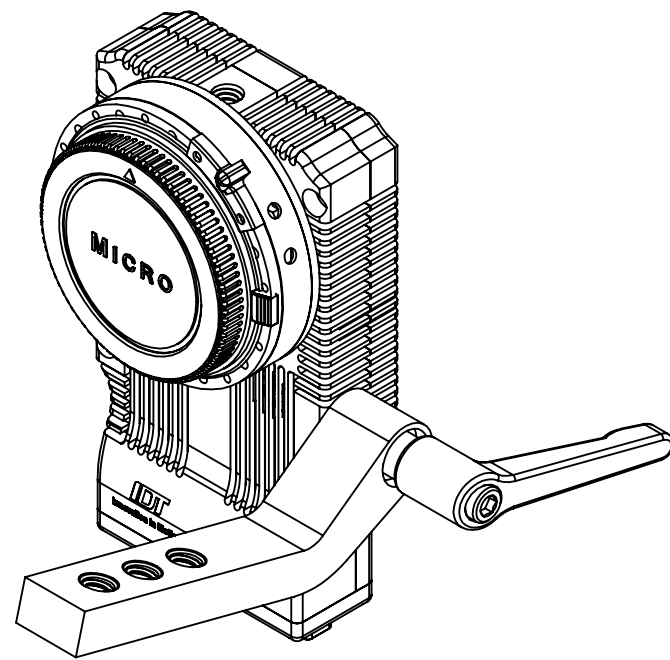
8 7 6 5 4 3 2 1



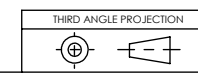
CAMERA WITH C MOUNT AND FRONT CAP



CAMERA WITH F MOUNT AND FRONT CAP



CAMERA WITH MICRO FOUR THIRDS MOUNT AND FRONT CAP



PROPRIETARY AND CONFIDENTIAL <small>THE INFORMATION CONTAINED IN THIS DRAWING IS THE SOLE PROPERTY OF INTEGRATED DESIGN TOOLS, INC. ANY REPRODUCTION IN PART OR AS A WHOLE WITHOUT THE WRITTEN PERMISSION OF INTEGRATED DESIGN TOOLS, INC. IS PROHIBITED.</small>	PROJECT NAME: XSTREAM CAMERA	INTEGRATED DESIGN TOOLS, INC <small>1 WEST MOUNTAIN STREET SUITE 3 PASADENA, CA 91103</small>	
	UNLESS OTHERWISE SPECIFIED: DIMENSIONS ARE IN INCHES TOLERANCES ON: FRACTIONAL DECIMAL ANGULAR ± 1/16 X ± .03 ± 1° .XX ± .01 .XXX ± .005	TITLE: INTERFACE DOCUMENT CONTROL (ICD), XSTREAM CAMERA	
DO NOT SCALE DRAWING	DWG. NO. 1419-0100	SCALE: 1:5	REV B DATE: 2/8/2017 SHEET 2 OF 2