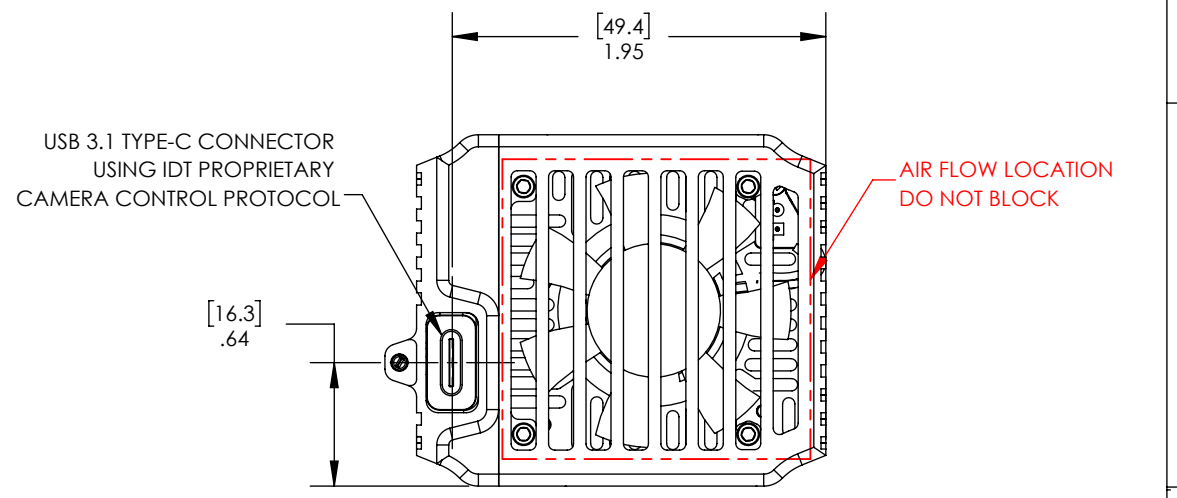
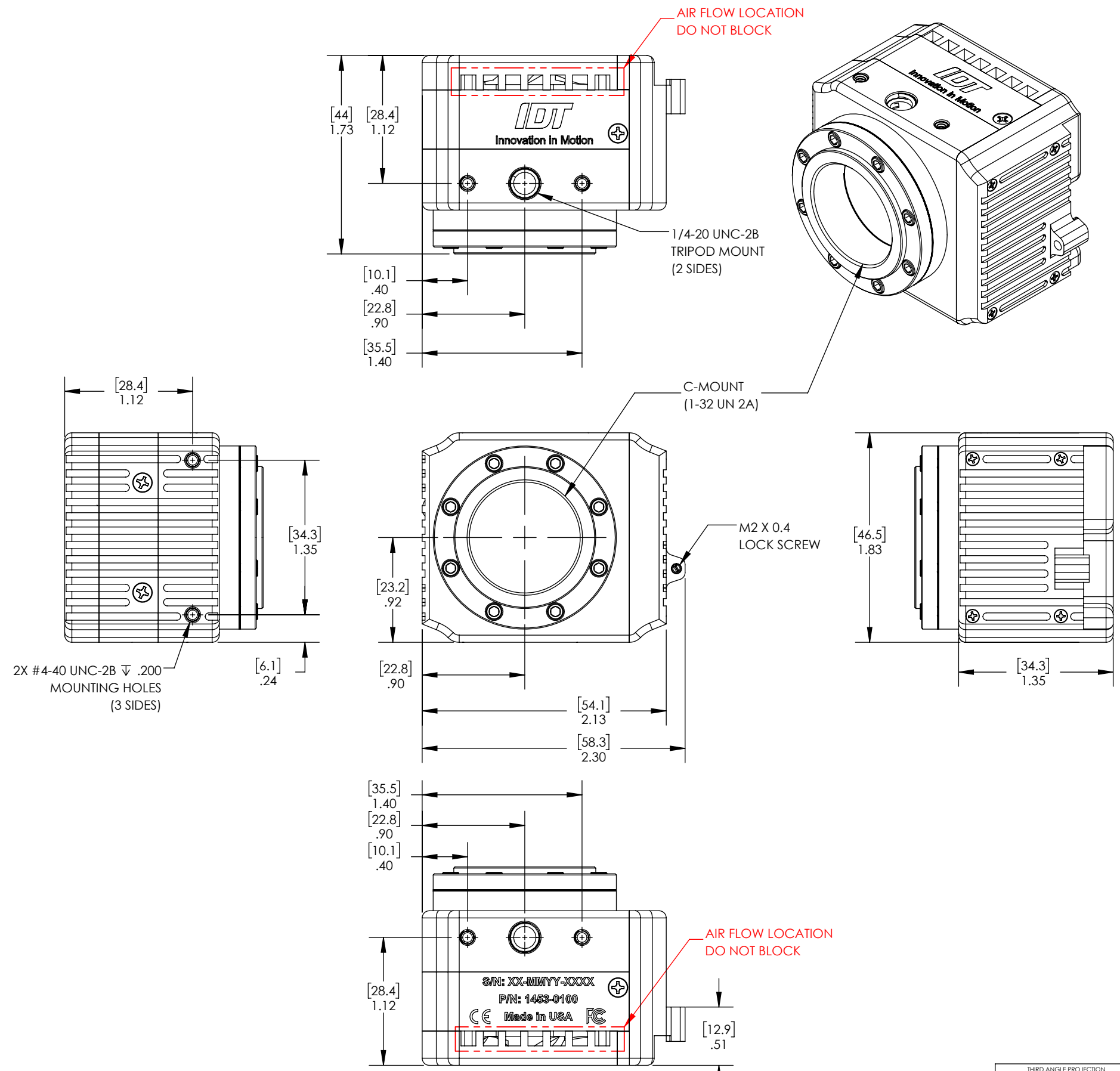


NOTES: UNLESS OTHERWISE SPECIFIED

REVISIONS					
ZONE	REV.	ECO #	DESCRIPTION	DATE	APPROVED
	A		INITIAL RELEASE.	6/21/2019	C. VIDAMO

A
B
C
D
E

A
B
C
D
E



PIN(S)		SIGNAL		TECHNICAL DESCRIPTION	
A12	B12	GND		GROUND, DRAIN	
A2		TRANSMIT P3		AURORA SERIAL INTERFACE	
A3		TRANSMIT N3		AURORA SERIAL INTERFACE	
A4	A9	B4	B9	+ CAM POWER 6 TO 12 VDC	
A5		B5		SYNC OUT SWITCH CLOSURE 3.3V	
A6		B6		CAM COMM INTERFACE + LVDS CONTROL SIGNAL	
A7		B7		CAM COMM INTERFACE - LVDS CONTROL SIGNAL	
A8		B8		SYNC IN SWITCH CLOSURE 3.3V	
A10				TRANSMIT N2 AURORA SERIAL INTERFACE	
A11				TRANSMIT P2 AURORA SERIAL INTERFACE	
B2				TRANSMIT P1 AURORA SERIAL INTERFACE	
B3				TRANSMIT N1 AURORA SERIAL INTERFACE	
B10				TRANSMIT N0 AURORA SERIAL INTERFACE	
B11				TRANSMIT P0 AURORA SERIAL INTERFACE	

<p>PROPRIETARY AND CONFIDENTIAL</p> <p>THE INFORMATION CONTAINED IN THIS DRAWING IS THE SOLE PROPERTY OF INTEGRATED DESIGN TOOLS, INC. ANY REPRODUCTION IN PART OR AS A WHOLE WITHOUT THE WRITTEN PERMISSION OF INTEGRATED DESIGN TOOLS, INC. IS PROHIBITED.</p>	<p>UNLESS OTHERWISE SPECIFIED: DIMENSIONS ARE IN INCHES TOLERANCES ON:</p> <p>FRACTIONAL DECIMAL ANGULAR</p> <p>$\pm 1/16$.X $\pm .03$ $\pm 1^\circ$</p> <p>.XX $\pm .01$</p> <p>.XXX $\pm .005$</p>	<p>PROJECT NAME:</p> <p>X-STREAM mini</p> <p>DATE: 6/21/2019</p> <p>DESIGNED BY: C. VIDAMO</p> <p>CHECKED BY: D. ATOL</p> <p>DATE: 6/21/2019</p> <p>MECH. ENGINEER: D. ATOL</p> <p>DATE: 6/21/2019</p> <p>ELECTRICAL ENGINEER:</p> <p>OPERATION MANAGER:</p> <p>PROGRAM MANAGER:</p>	<p>INTEGRATED DESIGN TOOLS, INC</p> <p>1 WEST MOUNTAIN STREET SUITE 3 PASADENA, CA 91103</p> <p>TITLE:</p> <p>INTERFACE CONTROL DOCUMENT (ICD), X-STREAM MINI</p> <p>SIZE: B</p> <p>DWG. NO. 1453-0100</p> <p>REV A</p> <p>SCALE: 1:1</p> <p>DATE: 6/21/2019</p> <p>SHEET 1 OF 1</p>
	<p>THIRD ANGLE PROJECTION</p>		<p>DO NOT SCALE DRAWING</p>

8 7 6 5 4 3 2 1