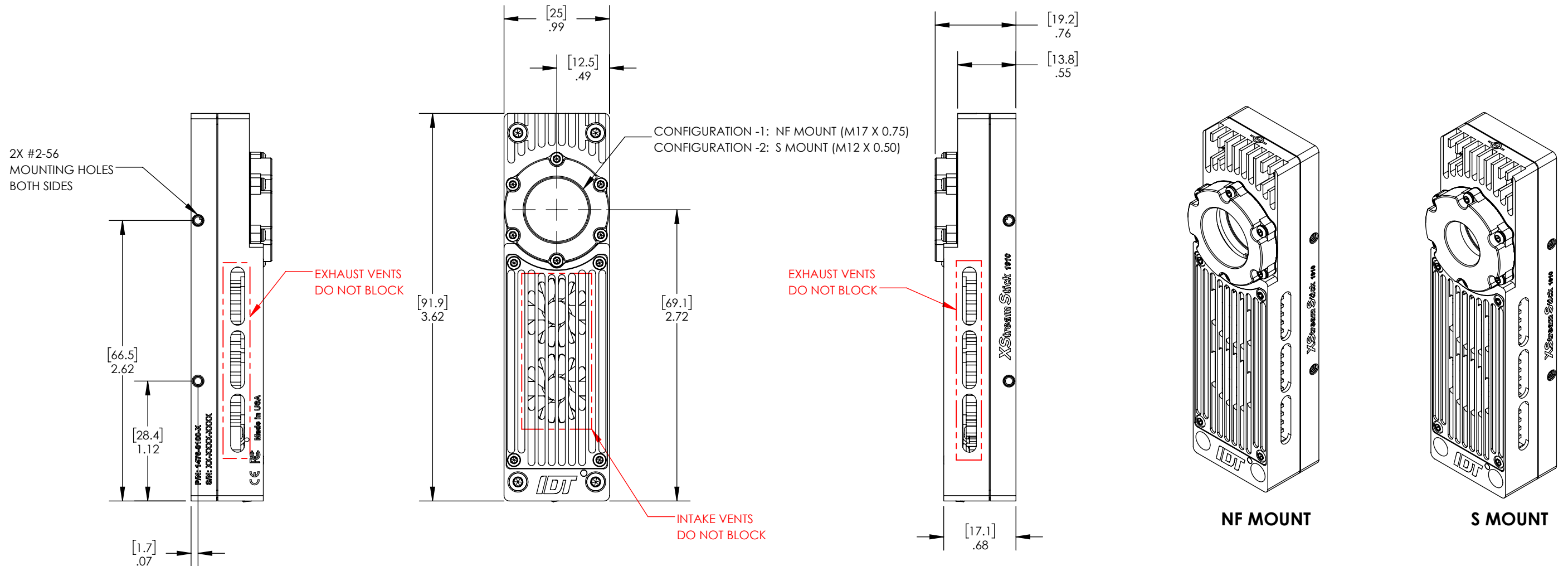


INTERFACE CONTROL DOCUMENT

WEIGHT: 2.2 OZ [62g] (CAMERA ONLY)

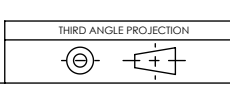
OVERALL DIMENSIONS ARE THE SAME FOR BOTH NF MOUNT AND S MOUNT CONFIGURATIONS.

REVISIONS					
ZONE	REV.	ECO #	DESCRIPTION	DATE	APPROVED
	A		RELEASE FOR PRODUCTION	5/24/2019	B. MOAK
	B	ECO-0492	UPDATED DESIGN. ADDED S MOUNT CONFIGURATION.	7/23/2019	C. VIDAMO
	C	ECO-0529	UPDATED DOCUMENT TO INCLUDE TRIPOD MOUNT.	12/5/2019	C. VIDAMO

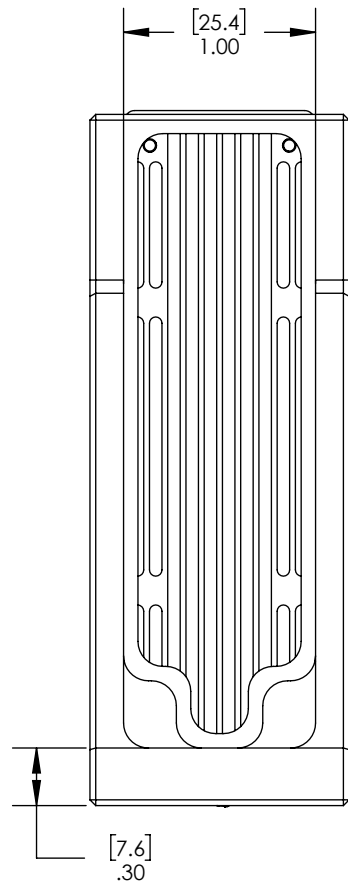


USB 3.1 TYPE-C CONNECTOR
USING IDT PROPRIETARY
CAMERA CONTROL PROTOCOL

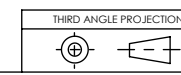
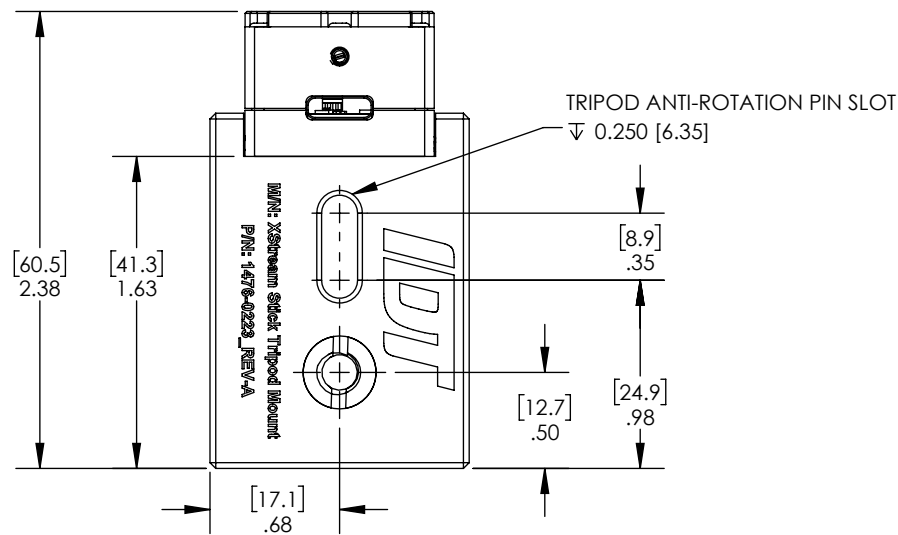
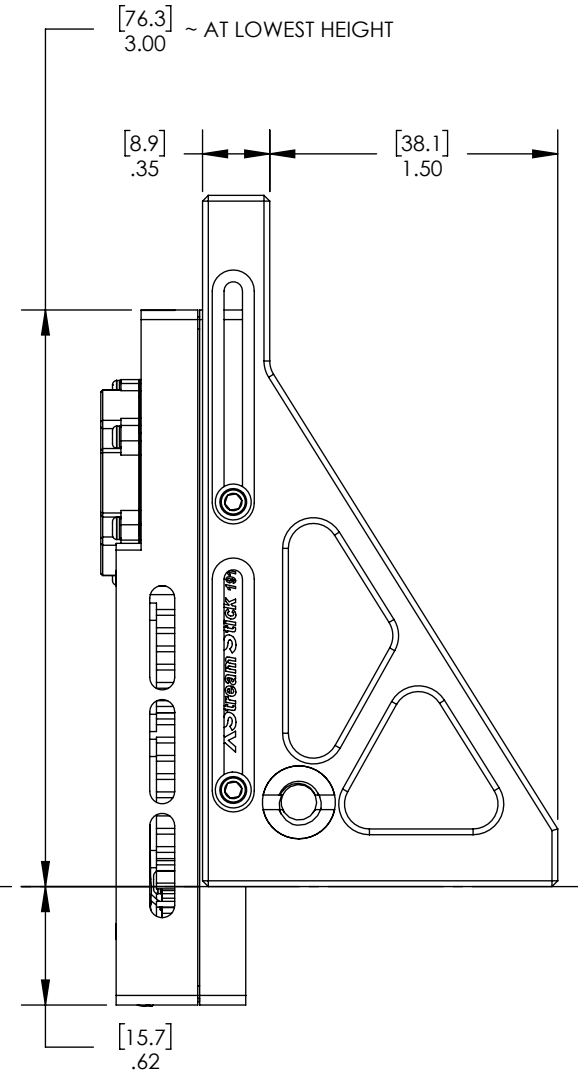
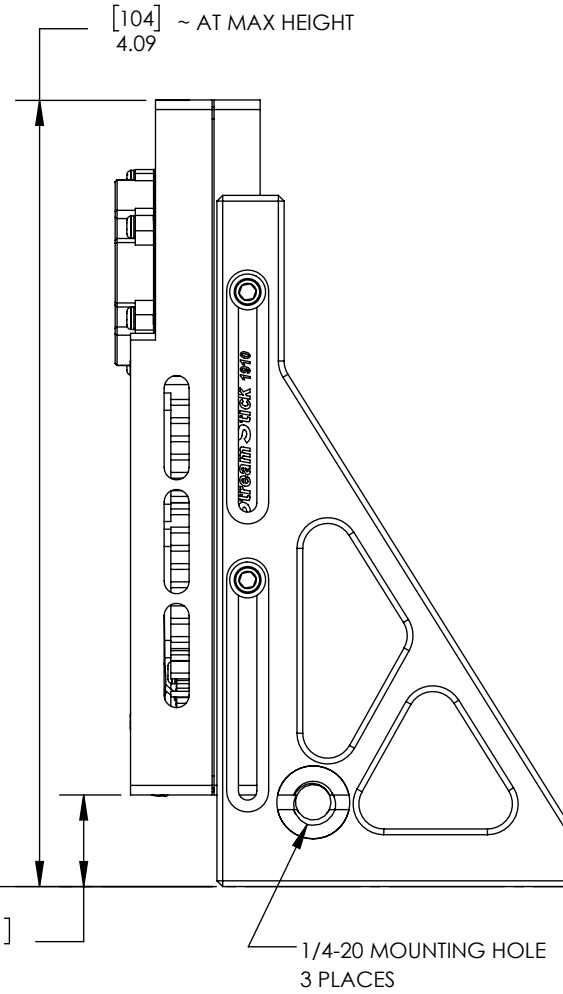
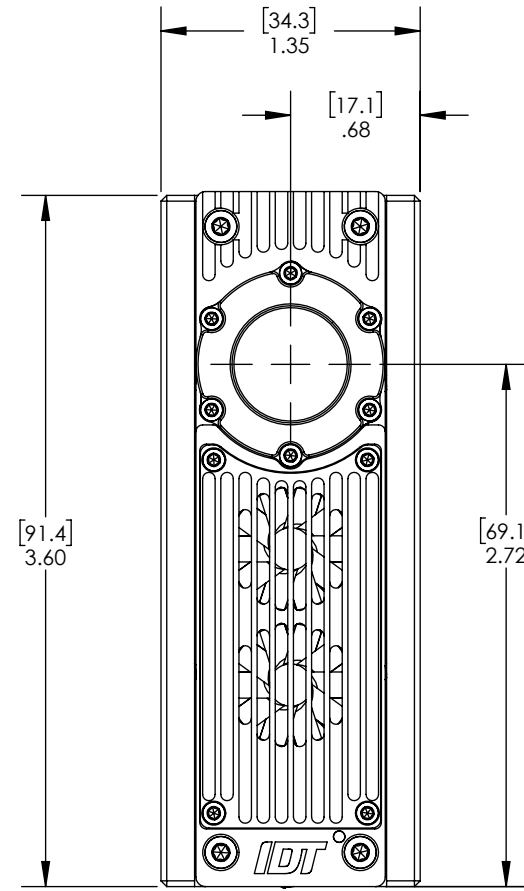
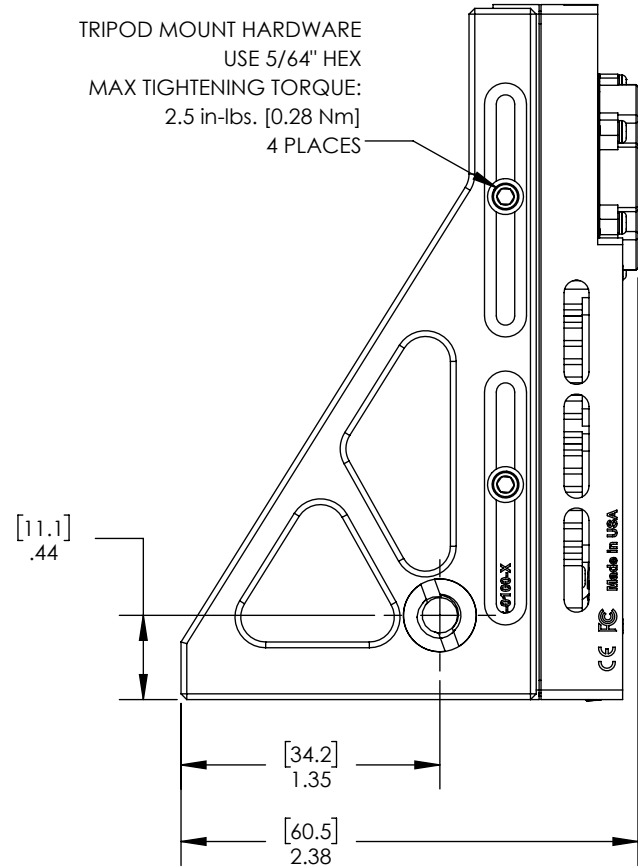
PROPRIETARY AND CONFIDENTIAL <small>THE INFORMATION CONTAINED IN THIS DRAWING IS THE SOLE PROPERTY OF INTEGRATED DESIGN TOOLS, INC. ANY REPRODUCTION IN PART OR AS A WHOLE WITHOUT THE WRITTEN PERMISSION OF INTEGRATED DESIGN TOOLS, INC. IS PROHIBITED.</small>	MATERIAL:	FINISH:	PROJECT NAME:	INTEGRATED DESIGN TOOLS, INC <small>1 WEST MOUNTAIN STREET SUITE 3 PASADENA, CA 91103</small>	
	UNLESS OTHERWISE SPECIFIED: DIMENSIONS ARE IN INCHES TOLERANCES ON:				DRAWN: C. VIDAMO DATE: 12/5/2019 CHECKED: B. MOAK DATE: 12/5/2019 MECH. ENGINEER: B. MOAK DATE: 12/5/2019 ELECTRICAL ENGINEER: OPERATION MANAGER: PROGRAM MANAGER:
	FRACTIONAL DECIMAL ANGULAR ± 1/16 .X ± .03 ± 1° .XX ± .01 .XXX ± .005				TITLE: X-STREAM STICK CAMERA, INTERFACE CONTROL DOCUMENT (ICD) SIZE: B DWG. NO. 1476-0100 REV C
	DO NOT SCALE DRAWING				SCALE: 1:1 DATE: 12/5/2019 SHEET 1 OF 2



WITH TRIPOD MOUNT



TRIPOD MOUNT HARDWARE
USE 5/64" HEX
MAX TIGHTENING TORQUE:
2.5 in-lbs. [0.28 Nm]
4 PLACES



<p>PROPRIETARY AND CONFIDENTIAL</p> <p>THE INFORMATION CONTAINED IN THIS DRAWING IS THE SOLE PROPERTY OF INTEGRATED DESIGN TOOLS, INC. ANY REPRODUCTION IN PART OR AS A WHOLE WITHOUT THE WRITTEN PERMISSION OF INTEGRATED DESIGN TOOLS, INC. IS PROHIBITED.</p>	<p>PROJECT NAME: X-STREAM STICK</p>	<p>INTEGRATED DESIGN TOOLS, INC 1 WEST MOUNTAIN STREET SUITE 3 PASADENA, CA 91103</p>
	<p>UNLESS OTHERWISE SPECIFIED: DIMENSIONS ARE IN INCHES TOLERANCES ON:</p>	<p>TITLE: X-STREAM STICK CAMERA, INTERFACE CONTROL DOCUMENT (ICD)</p>
	<p>FRACTIONAL DECIMAL ANGULAR ± 1/16 X ± .03 ± 1° .XX ± .01 .XXX ± .005</p>	<p>SIZE: B DWG. NO. 1476-0100 REV C</p>
	<p>DO NOT SCALE DRAWING</p>	<p>SCALE: 1:1 DATE: 12/5/2019 SHEET 2 OF 2</p>