

**NOTES: UNLESS OTHERWISE SPECIFIED**

1. MASS PROPERTIES: MASS = 15.0 lb, 6.8 kg  
 CENTER OF MASS: (INCHES) X = XX, Y = YY, Z = ZZ

2. CONNECTORS:

J1: MAIN POWER  
 10-36V DC 750W MAX  
 DEUTSCH AFD SERIES RECEPTACLE, 4-POS, BAYONET  
 P/N: MS3470L14-4S  
 MATING PLUG: MS3475L14-4P

J2: AUX POWER  
 10-36V DC 750W MAX  
 DEUTSCH AFD SERIES RECEPTACLE, 4-POS, BAYONET  
 P/N: MS3470L14-4S  
 MATING PLUG: MS3475L14-4P

J3: MASTER IN  
 RECEPTACLE, 19-PIN, SIZE-2, B-SERIES LEMO  
 LME0 P/N: ECG.2B.319.CLN  
 MATING PLUG: FGG.2B.319.CLAD OR SIMILAR

J4: SLAVE OUT  
 RECEPTACLE, 19-PIN, SIZE-2, B-SERIES LEMO  
 LME0 P/N: ECG.2B.319.CLN  
 MATING PLUG: FGG.2B.319.CLAD OR SIMILAR

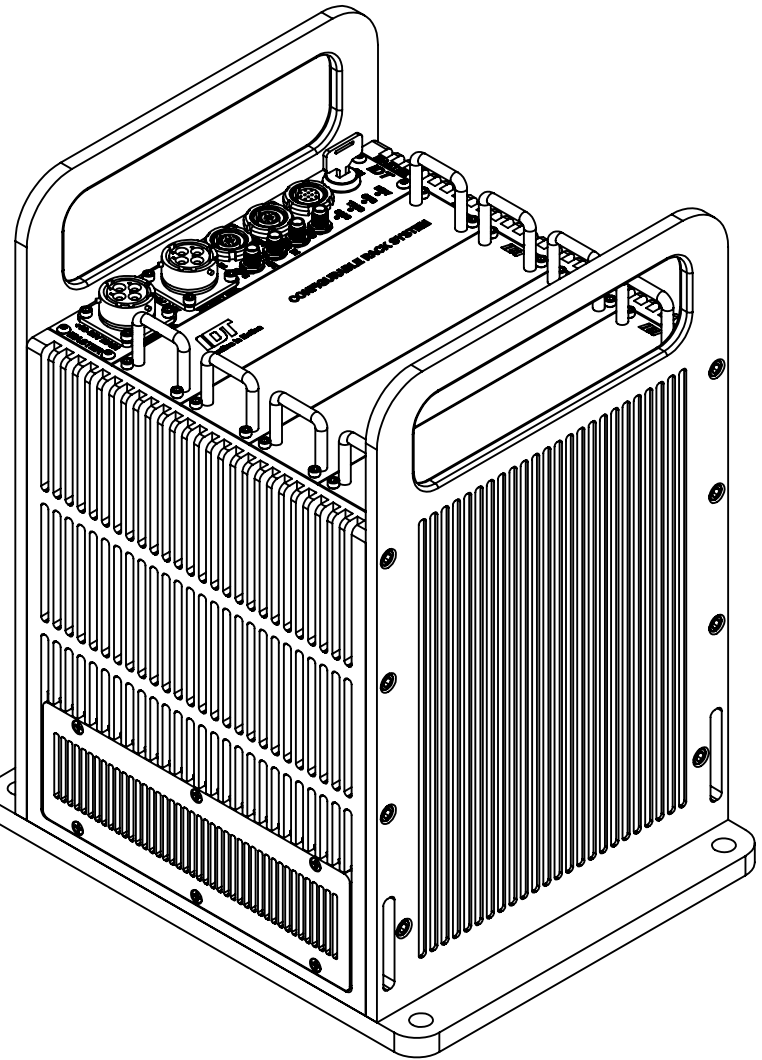
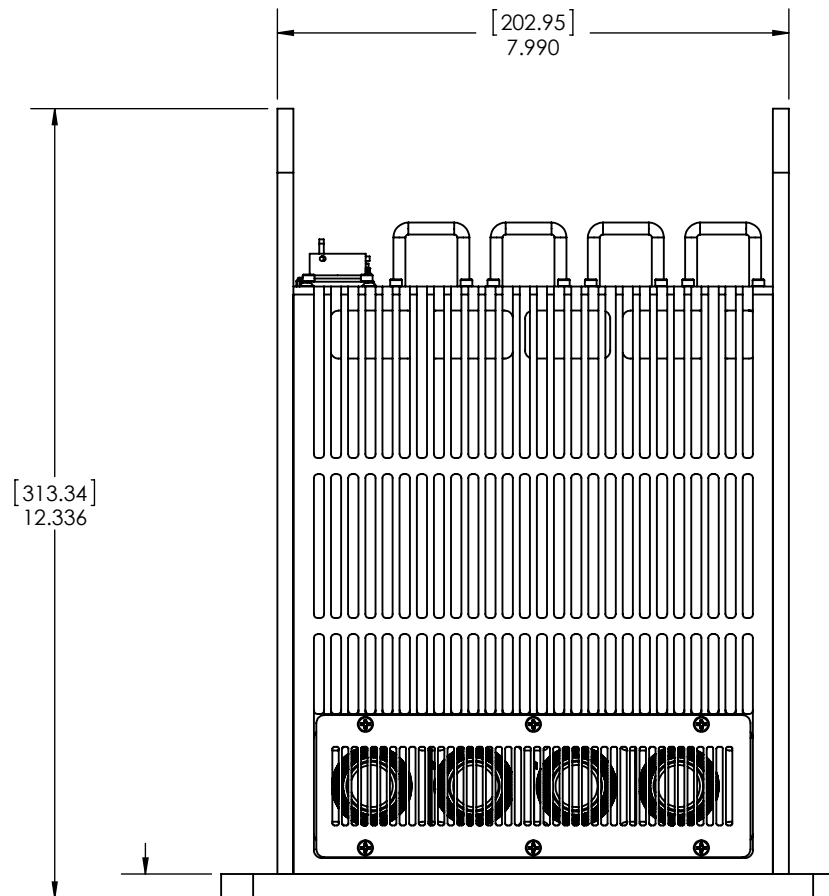
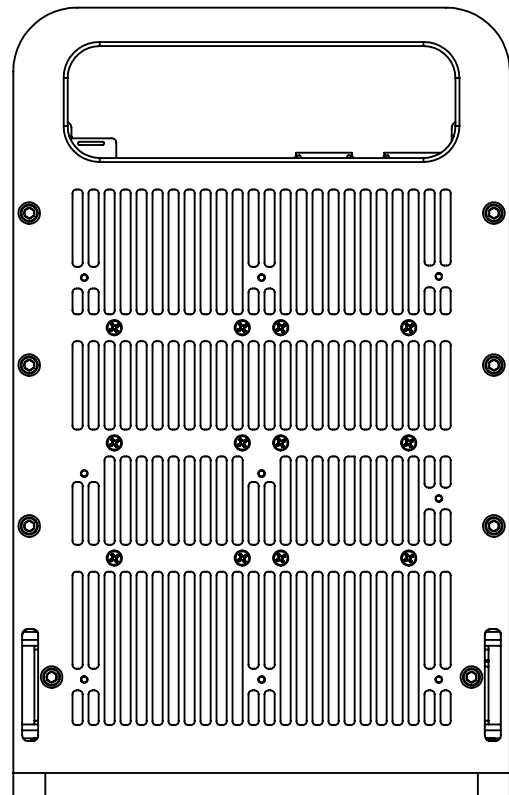
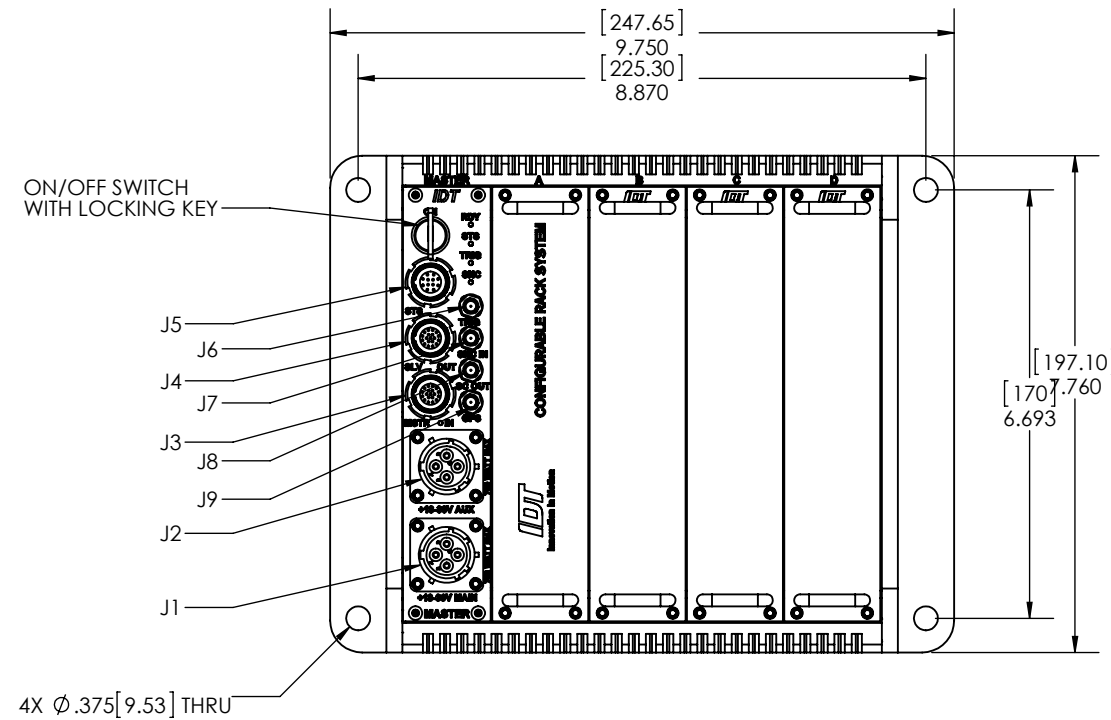
J5: STATUS  
 RECEPTACLE, 12-PIN, SIZE-2, B-SERIES LEMO  
 LME0 P/N: ECG.2B.312.CLN  
 MATING PLUG: FGG.2B.312.CLAD OR SIMILAR

J6: TRIGGER  
 SMA JACK, FEMALE, 50 OHM IMPEDANCE

J7: SYNC IN  
 SMA JACK, FEMALE, 50 OHM IMPEDANCE

J8: SYNC OUT  
 SMA JACK, FEMALE, 50 OHM IMPEDANCE

J9: GPS  
 SMA JACK, FEMALE, 50 OHM IMPEDANCE

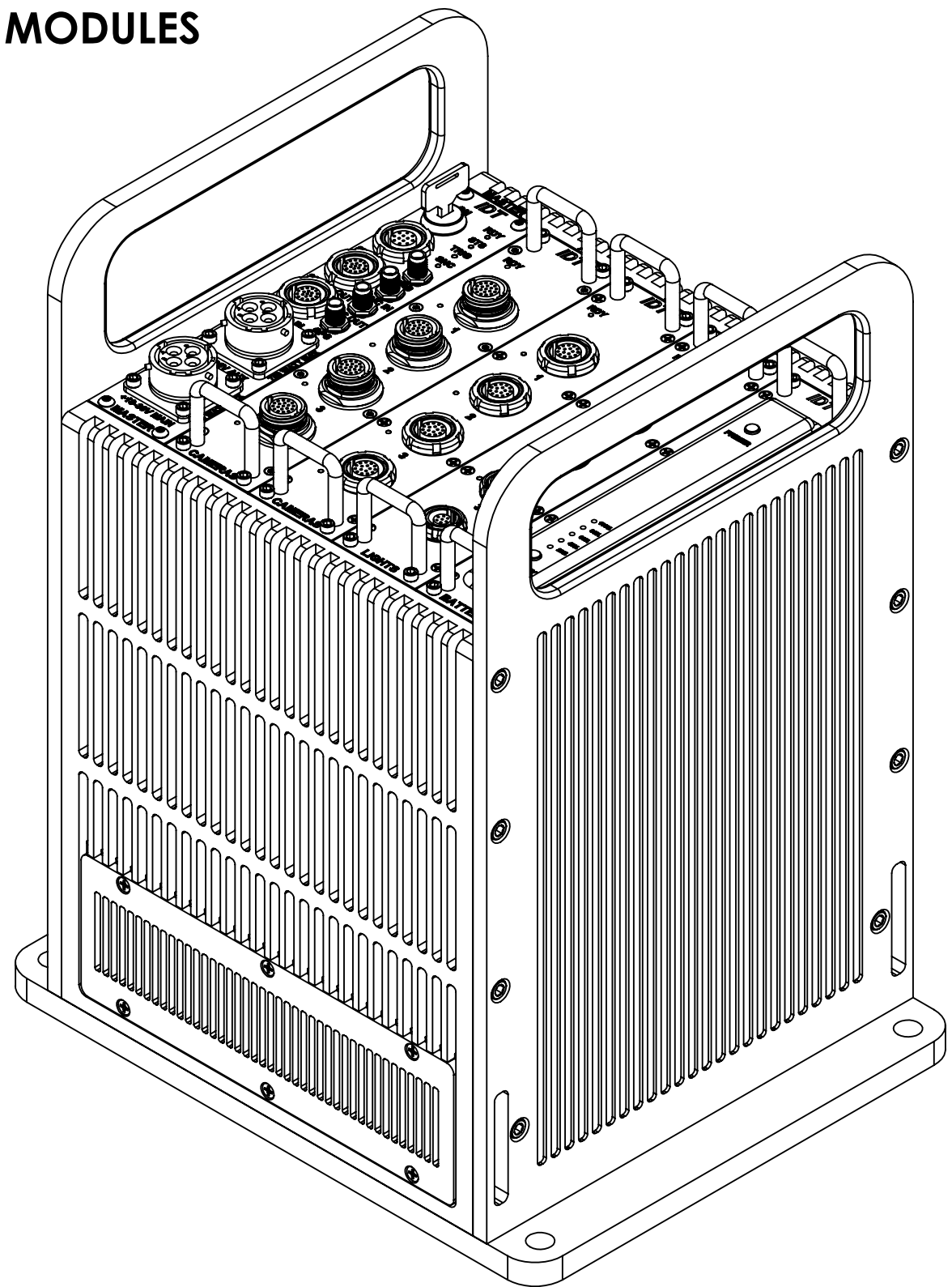
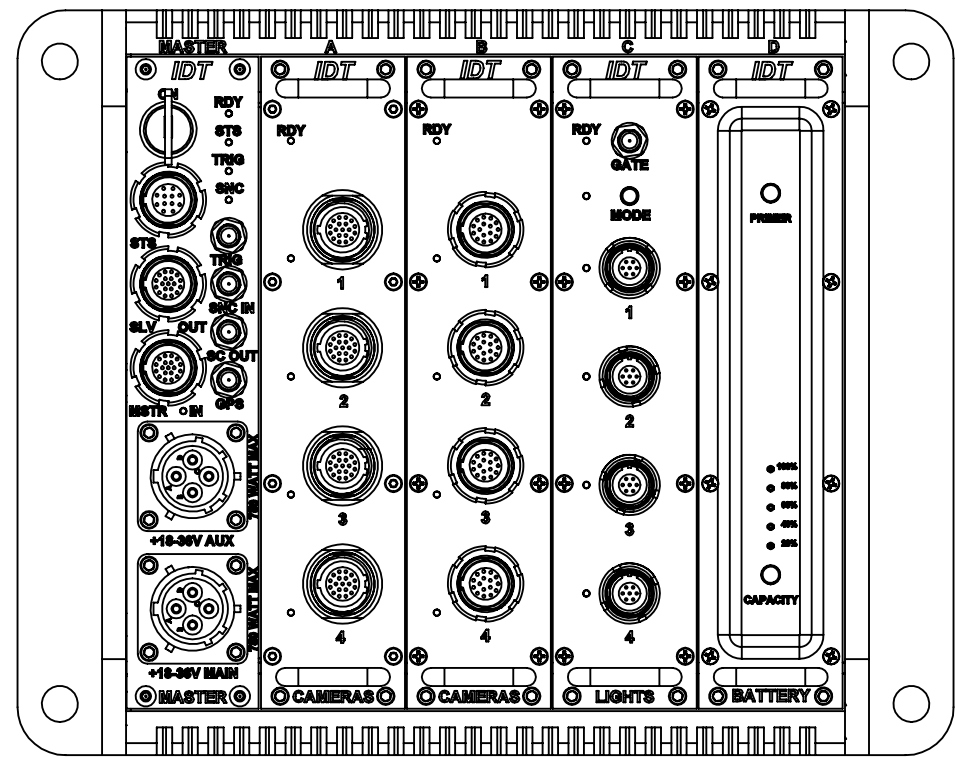


REVISIONS					
ZONE	REV.	ECO #	DESCRIPTION	DATE	APPROVED
	A	-	INITIAL RELEASE FOR PRODUCTION.	03/17/2016	B.MOAK

<b>PROPRIETARY AND CONFIDENTIAL</b> <small>THE INFORMATION CONTAINED IN THIS DRAWING IS THE SOLE PROPERTY OF INTEGRATED DESIGN TOOLS, INC. ANY REPRODUCTION IN PART OR AS A WHOLE WITHOUT THE WRITTEN PERMISSION OF INTEGRATED DESIGN TOOLS, INC. IS PROHIBITED.</small>	MATERIAL:	FINISH:	PROJECT NAME:	<b>INTEGRATED DESIGN TOOLS, INC</b> <small>1 WEST MOUNTAIN STREET SUITE 3 PASADENA, CA 91103</small>
	UNLESS OTHERWISE SPECIFIED: DIMENSIONS ARE IN INCHES TOLERANCES ON:		RACK HUB	
	FRACTIONAL DECIMAL ANGULAR			
	DO NOT SCALE DRAWING			
	DATE: X, XXXX XX/XX/2014	DATE: X, XXXX XX/XX/2014	DATE: X, XXXX XX/XX/2014	TITLE:
	DESIGN: X, XXXX XX/XX/2014	CHECKED: X, XXXX XX/XX/2014	MECH. ENGINEER: X, XXXX XX/XX/2014	FINAL ASSY, RACK SYSTEM, ICD
	OPERATION MANAGER:	PROGRAM MANAGER:	PROGRAM MANAGER:	SIZE: B
				DWG. NO. 1140-0100
				REV A
				SCALE: 1:3
				DATE: 3/17/2016
				SHEET 1 OF 2



# VIEW WITH MODULES



<p><b>PROPRIETARY AND CONFIDENTIAL</b></p> <p>THE INFORMATION CONTAINED IN THIS DRAWING IS THE SOLE PROPERTY OF INTEGRATED DESIGN TOOLS, INC. ANY REPRODUCTION IN PART OR AS A WHOLE WITHOUT THE WRITTEN PERMISSION OF INTEGRATED DESIGN TOOLS, INC. IS PROHIBITED.</p>	<p>PROJECT NAME: <b>RACK HUB</b></p>	<p><b>INTEGRATED DESIGN TOOLS, INC</b> 1 WEST MOUNTAIN STREET SUITE 3 PASADENA, CA 91103</p>
	<p>UNLESS OTHERWISE SPECIFIED: DIMENSIONS ARE IN INCHES TOLERANCES ON: FRACTIONAL DECIMAL ANGULAR ± 1/16 X ± .03 ± 1° .XX ± .01 .XXX ± .005</p>	<p>TITLE: <b>FINAL ASSY, RACK SYSTEM, ICD</b></p>
<p>THIRD ANGLE PROJECTION</p>	<p><b>DO NOT SCALE DRAWING</b></p>	<p>SIZE: <b>B</b></p>
	<p>DWG. NO. <b>1140-0100</b></p>	<p>REV <b>A</b></p>
	<p>SCALE: 1:2</p>	<p>DATE: 3/17/2016</p>
		<p>SHEET 2 OF 2</p>