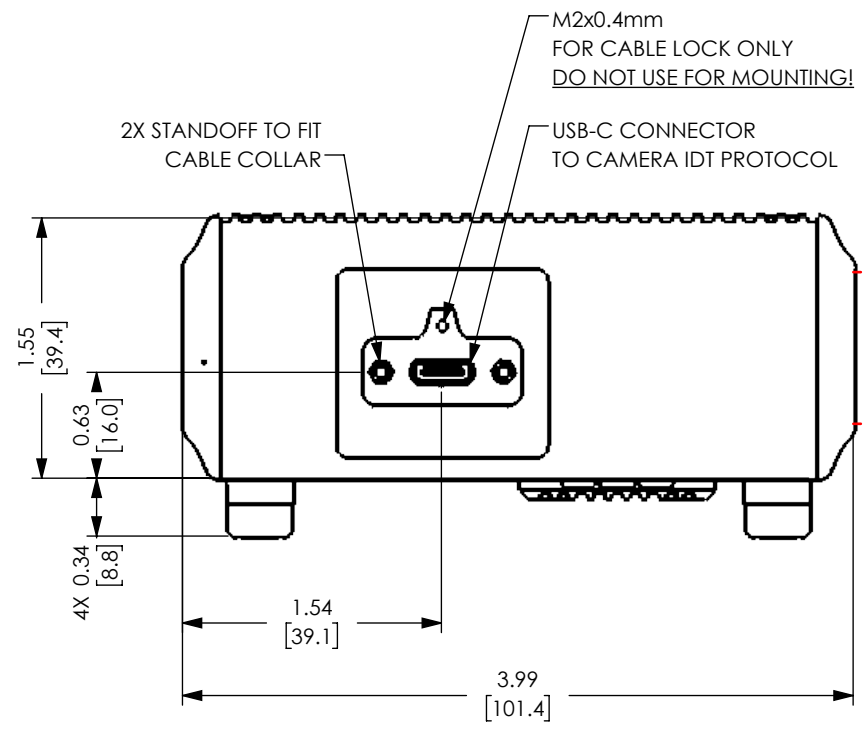
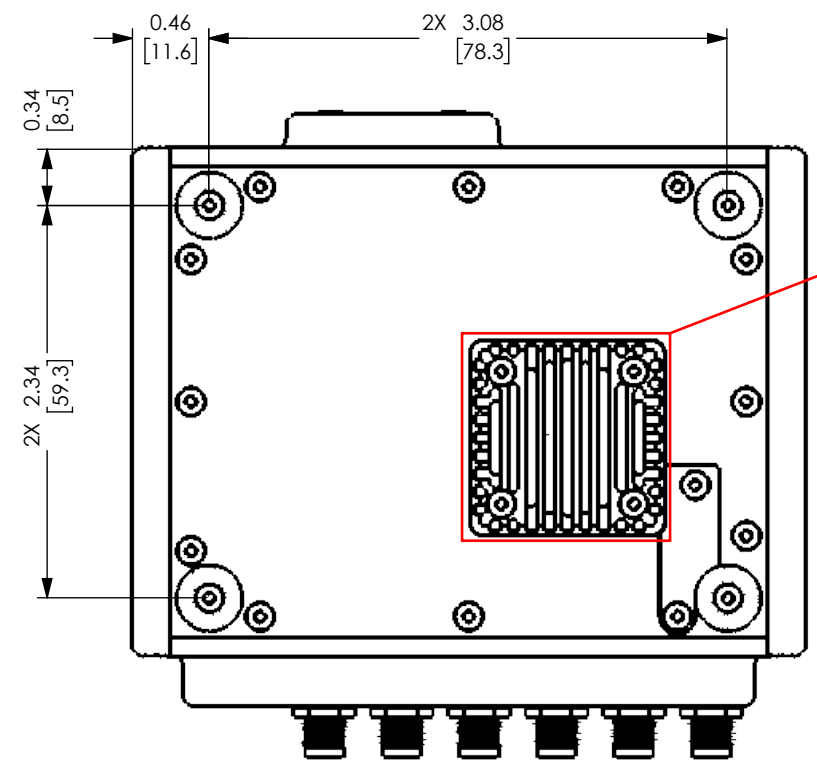
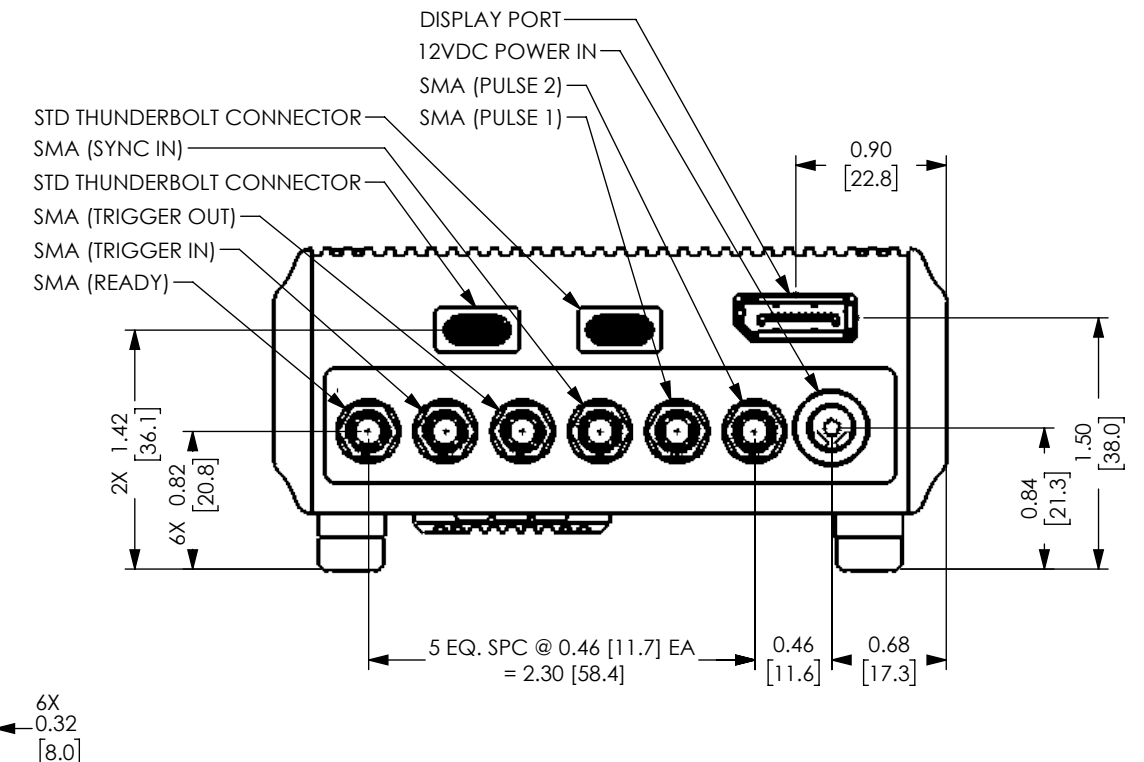
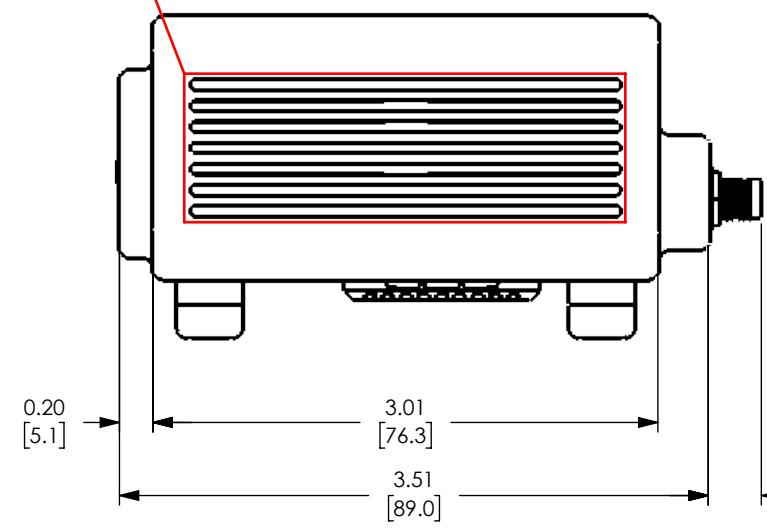


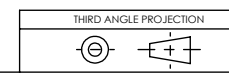
REVISIONS					
ZONE	REV.	ECO #	DESCRIPTION	DATE	APPROVED
	A		UNRELEASED	06/22/2018	N. PINOS
	B	0587	INITIAL RELEASE: REDRAWN	05/20/2020	D. ATOL



FAN OUTLET (BOTH SIDES) DO NOT BLOCK!



SMA (F) CONNECTORS	
CONNECTOR	DESCRIPTION
READY	100 Ω ± 10%, TTL 5V LEVEL SIGNAL
TRIG IN	1 kΩ ± 10%, TTL LEVEL COMPATIBLE W/ 5V & 3.3V LEVEL SIGNALS
TRIG OUT	100 Ω ± 10%, TTL 5V LEVEL SIGNAL
SYNC IN	1 kΩ ± 10%, TTL LEVEL COMPATIBLE W/ 5V & 3.3V LEVEL SIGNALS
PULSE 1	? 100 Ω ± 10%, TTL 5V LEVEL SIGNAL ?
PULSE 2	? 100 Ω ± 10%, TTL 5V LEVEL SIGNAL ?
DC POWER JACK 2 X 5.5MM	
PIN	DESCRIPTION
1	CENTER PIN, +12 VDC
2	SPRING, GROUND RETURN FOR POWER



PROPRIETARY AND CONFIDENTIAL THE INFORMATION CONTAINED IN THIS DRAWING IS THE SOLE PROPERTY OF INTEGRATED DESIGN TOOLS, INC. ANY REPRODUCTION IN PART OR AS A WHOLE WITHOUT THE WRITTEN PERMISSION OF INTEGRATED DESIGN TOOLS, INC. IS PROHIBITED.	MATERIAL:	FINISH:	PROJECT NAME: USB-C TO THUNDERBOLT ADAPTER, XSTREAM MINI	INTEGRATED DESIGN TOOLS, INC 1 WEST MOUNTAIN STREET SUITE 3 PASADENA, CA 91103	
	UNLESS OTHERWISE SPECIFIED: DIMENSIONS ARE IN INCHES TOLERANCES ON:				DATE: 05/20/2020 DRAWN: B. WADDELL CHECKED: D. ATOL MECH. ENGINEER: D. ATOL ELECTRICAL ENGINEER: D. ATOL OPERATIONS MANAGER: PROGRAM MANAGER:
	FRACTIONAL DECIMAL ANGULAR ± 1/16 .X ± .03 ± 1° .XX ± .01 .XXX ± .005				TITLE: ICD, USB-C TO THUNDERBOLT ADAPTER
	DO NOT SCALE DRAWING				SIZE: B DWG. NO.: 1471-0100 SCALE: 7:8 DATE: 05/20/2020 SHEET 1 OF 1

