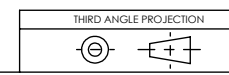
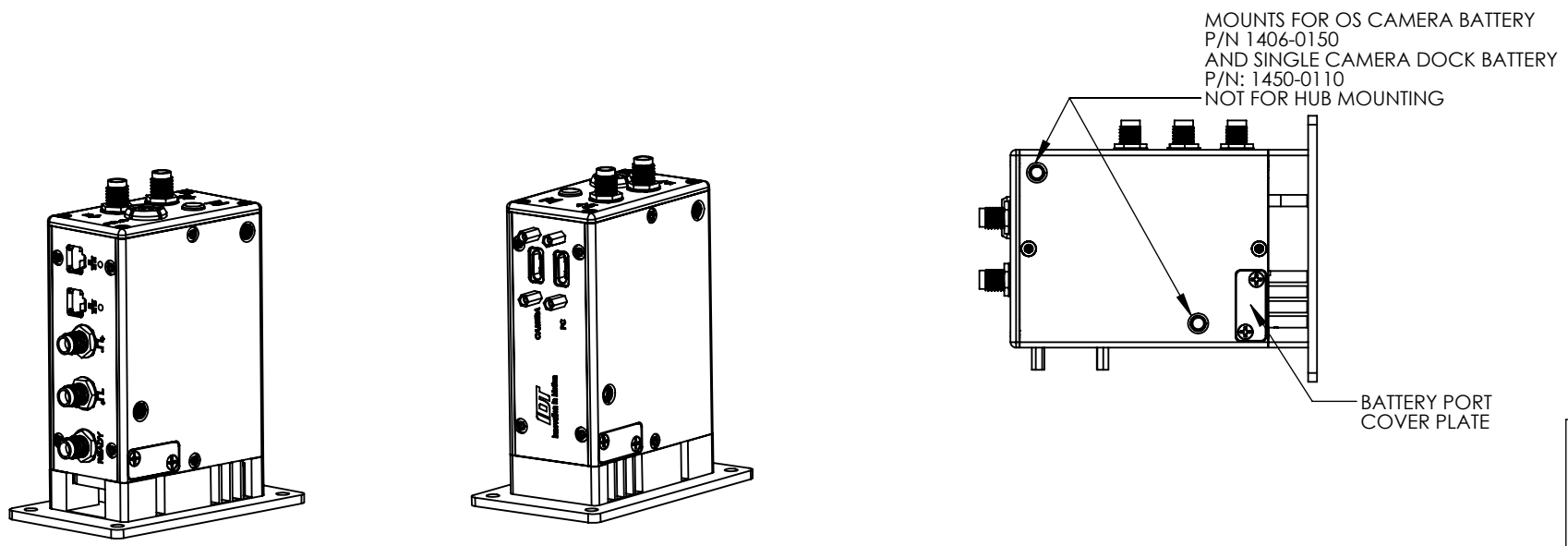
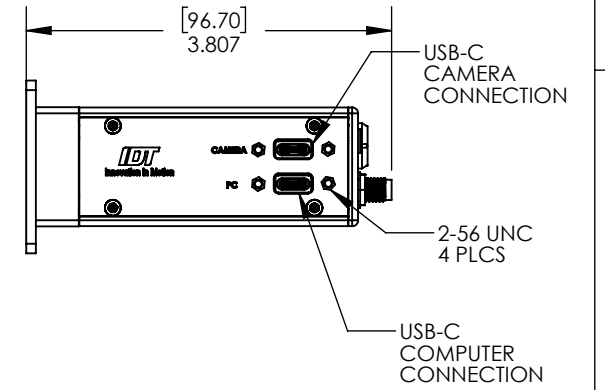
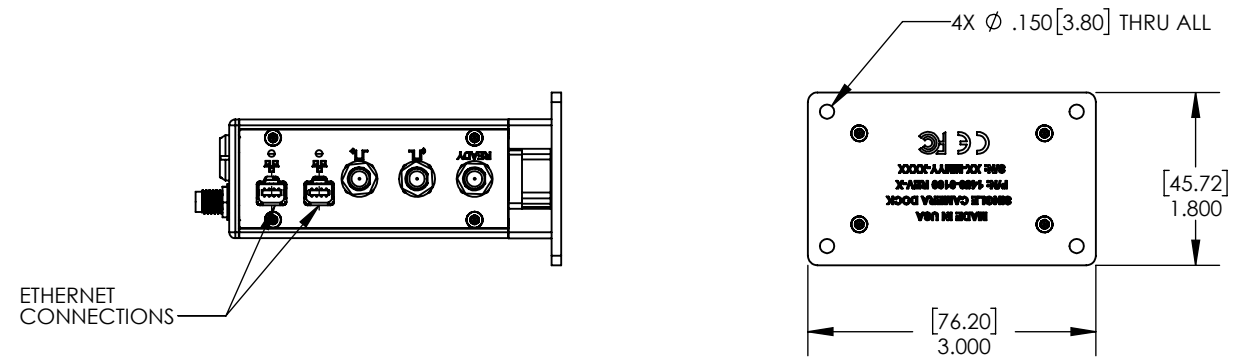
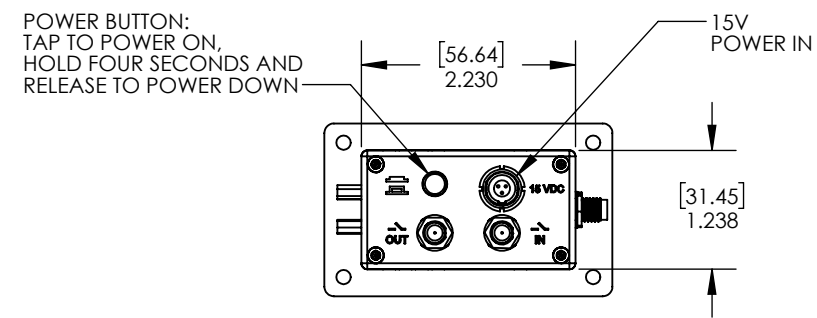
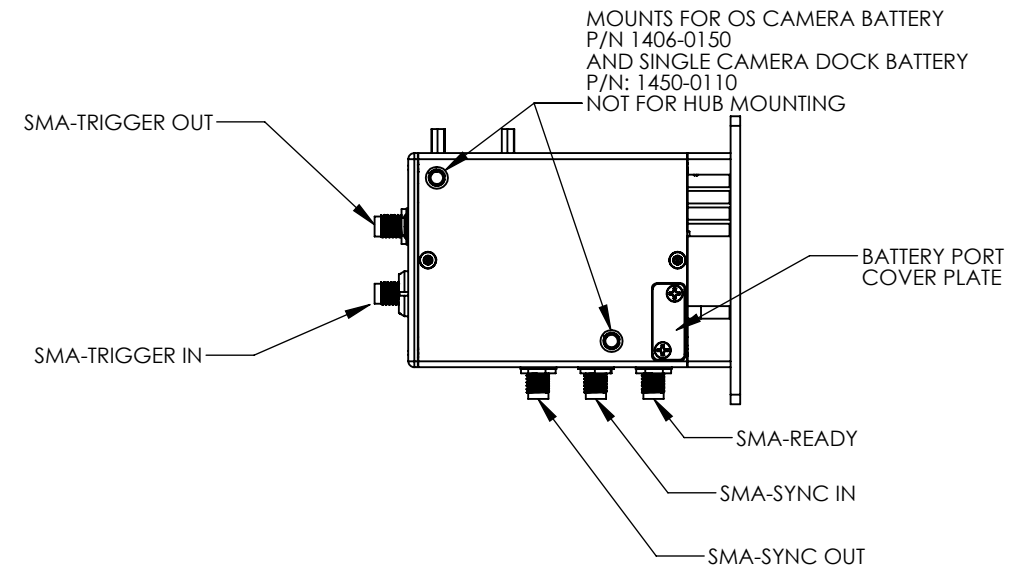


NOTES: UNLESS OTHERWISE SPECIFIED

1. WEIGHT: 8.55 oz [243 g] (WITHOUT BATTERIES)

REVISIONS					
ZONE	REV.	ECO #	DESCRIPTION	DATE	APPROVED
	A	-	INITIAL RELEASE FOR PRODUCTION.	08/01/2017	D. ATOL
	B	ECO-0238	REDESIGN FOR ACTIVE COOLING	4/10/2018	B. MOAK



PROPRIETARY AND CONFIDENTIAL <small>THE INFORMATION CONTAINED IN THIS DRAWING IS THE SOLE PROPERTY OF INTEGRATED DESIGN TOOLS, INC. ANY REPRODUCTION IN PART OR AS A WHOLE WITHOUT THE WRITTEN PERMISSION OF INTEGRATED DESIGN TOOLS, INC. IS PROHIBITED.</small>	MATERIAL:	FINISH:	PROJECT NAME: 1 PORT, CCmini HUB	INTEGRATED DESIGN TOOLS, INC <small>1 WEST MOUNTAIN STREET SUITE 3 PASADENA, CA 91103</small>	
	UNLESS OTHERWISE SPECIFIED: DIMENSIONS ARE IN INCHES TOLERANCES ON:				TITLE: ICD - 1 PORT HUB
	FRACTIONAL DECIMAL ANGULAR ± 1/16 .X ± .03 ± 1° .XX ± .01 .XXX ± .005				DATE: 04/28/2017 CHECKED: B. MOAK 08/01/2017 MECH. ENGINEER: B. MOAK 08/01/2017 ELECTRICAL ENGINEER: OPERATION MANAGER: PROGRAM MANAGER:
	DO NOT SCALE DRAWING				SIZE: B DWG. NO. 1450-0100 SCALE: 1:2 DATE: 4/13/2018 SHEET 1 OF 2

8 7 6 5 4 3 2 1

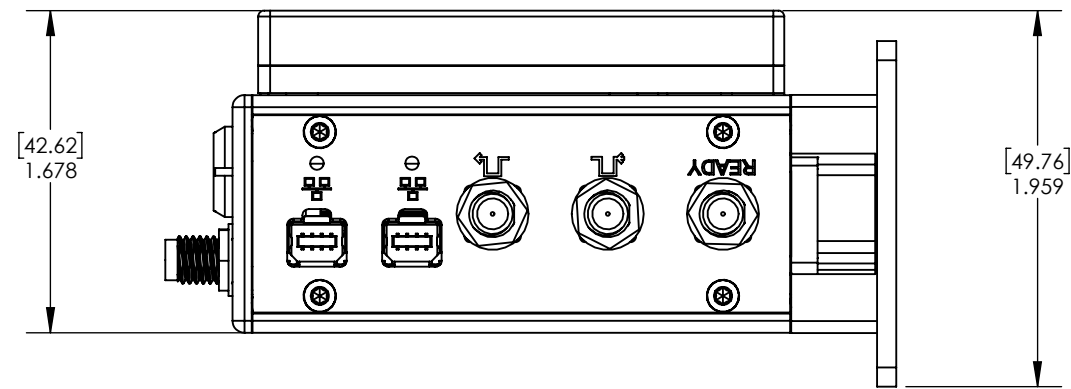
A

B

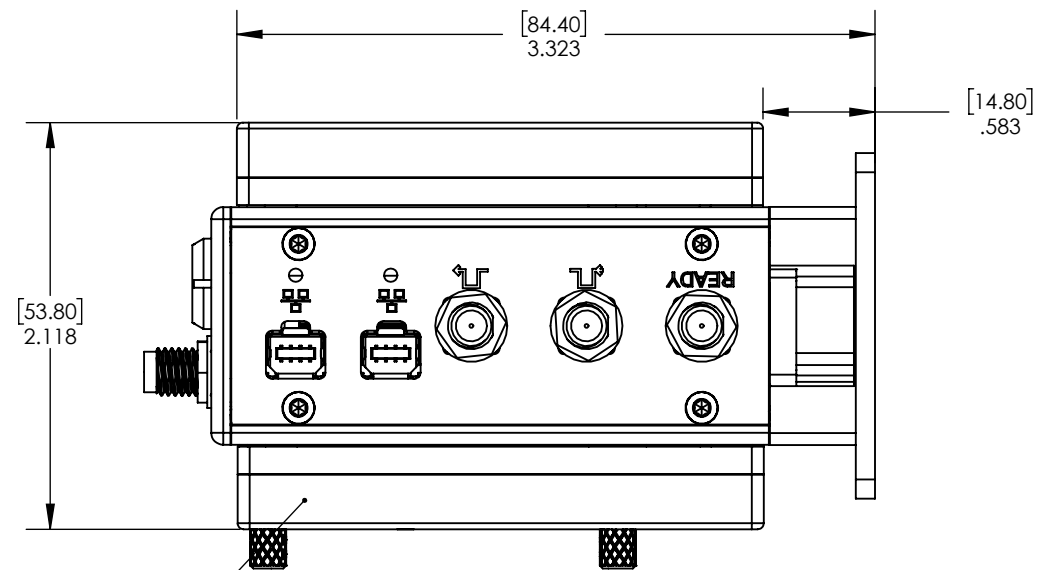
C

D

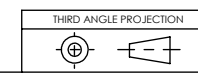
E



SINGLE BATTERY CONFIGURATION



SWAPPABLE BATTERY DUAL BATTERY CONFIGURATION



PROPRIETARY AND CONFIDENTIAL <small>THE INFORMATION CONTAINED IN THIS DRAWING IS THE SOLE PROPERTY OF INTEGRATED DESIGN TOOLS, INC. ANY REPRODUCTION IN PART OR AS A WHOLE WITHOUT THE WRITTEN PERMISSION OF INTEGRATED DESIGN TOOLS, INC. IS PROHIBITED.</small>	PROJECT NAME: 1 PORT, CCmini HUB	INTEGRATED DESIGN TOOLS, INC <small>1 WEST MOUNTAIN STREET SUITE 3 PASADENA, CA 91103</small>	
	UNLESS OTHERWISE SPECIFIED: DIMENSIONS ARE IN INCHES TOLERANCES ON: FRACTIONAL DECIMAL ANGULAR ± 1/16 X ± .03 ± 1° .XX ± .01 .XXX ± .005	TITLE: ICD - 1 PORT HUB	
DO NOT SCALE DRAWING	SIZE: B	DWG. NO. 1450-0100	SCALE: 1:1 DATE: 4/13/2018 SHEET 2 OF 2

8 7 6 5 4 3 2 1

A

B

C

D

E