

NOTES: UNLESS OTHERWISE SPECIFIED

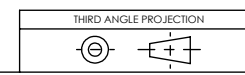
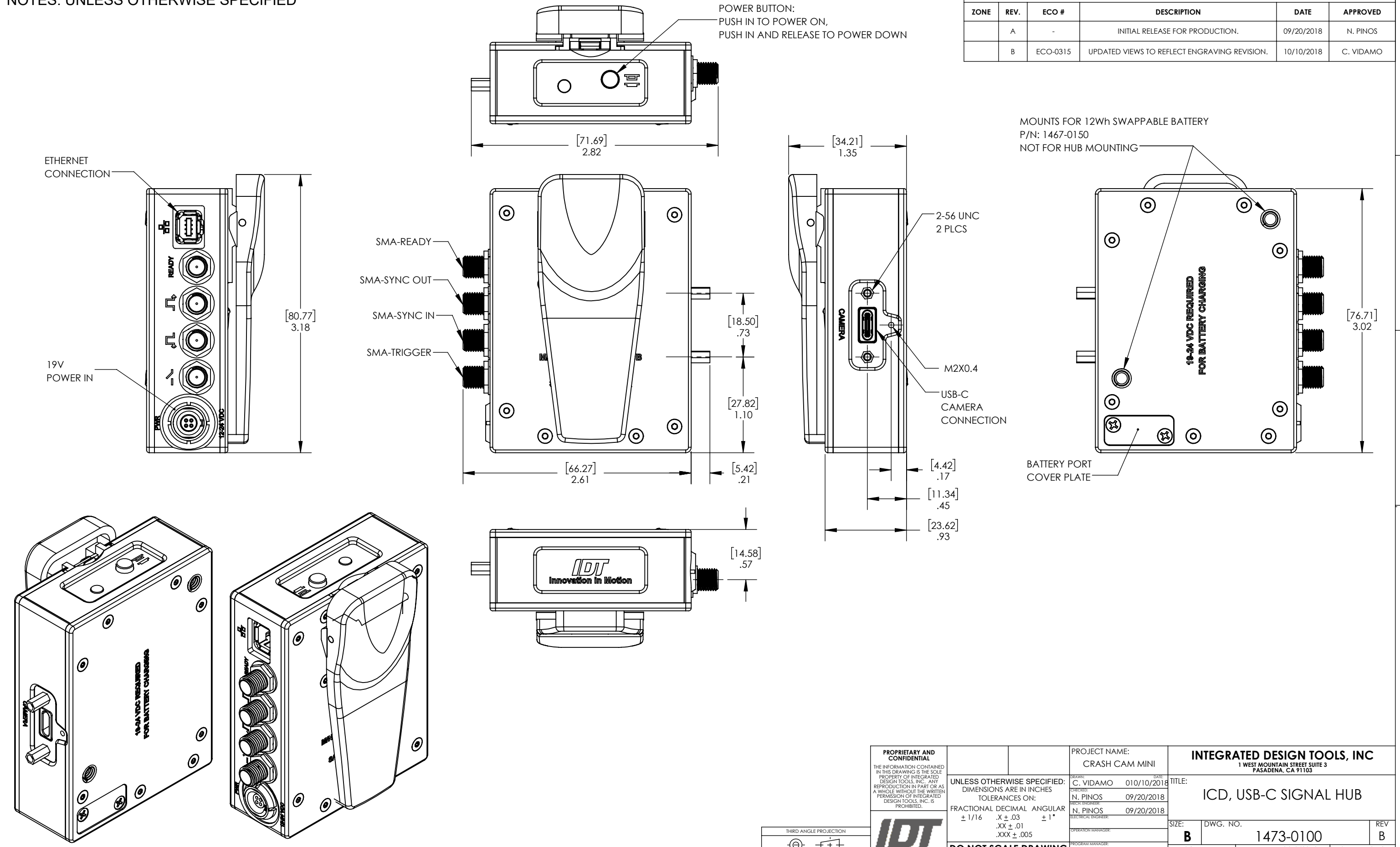
REVISIONS					
ZONE	REV.	ECO #	DESCRIPTION	DATE	APPROVED
	A	-	INITIAL RELEASE FOR PRODUCTION.	09/20/2018	N. PINOS
	B	ECO-0315	UPDATED VIEWS TO REFLECT ENGRAVING REVISION.	10/10/2018	C. VIDAMO

POWER BUTTON:
PUSH IN TO POWER ON,
PUSH IN AND RELEASE TO POWER DOWN

MOUNTS FOR 12Wh SWAPPABLE BATTERY
P/N: 1467-0150
NOT FOR HUB MOUNTING

A
B
C
D
E

A
B
C
D
E



PROPRIETARY AND CONFIDENTIAL THE INFORMATION CONTAINED IN THIS DRAWING IS THE SOLE PROPERTY OF INTEGRATED DESIGN TOOLS, INC. ANY REPRODUCTION IN PART OR AS A WHOLE WITHOUT THE WRITTEN PERMISSION OF INTEGRATED DESIGN TOOLS, INC. IS PROHIBITED.	PROJECT NAME: CRASH CAM MINI	INTEGRATED DESIGN TOOLS, INC. 1 WEST MOUNTAIN STREET SUITE 3 PASADENA, CA 91103
	UNLESS OTHERWISE SPECIFIED: DIMENSIONS ARE IN INCHES TOLERANCES ON: FRACTIONAL DECIMAL ANGULAR $\pm 1/16$.X $\pm .03$ $\pm 1^\circ$.XX $\pm .01$.XXX $\pm .005$	DRAWN: C. VIDAMO 010/10/2018 CHECKED: N. PINOS 09/20/2018 MECH. ENGINEER: N. PINOS 09/20/2018 ELECTRICAL ENGINEER: OPERATIONS MANAGER: PROGRAM MANAGER:
DO NOT SCALE DRAWING	SIZE: B SCALE: 1:1	DWG. NO. 1473-0100 DATE: 10/10/2018

E

8 7 6 5 4 3 2 1

8

7

6

5

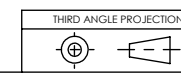
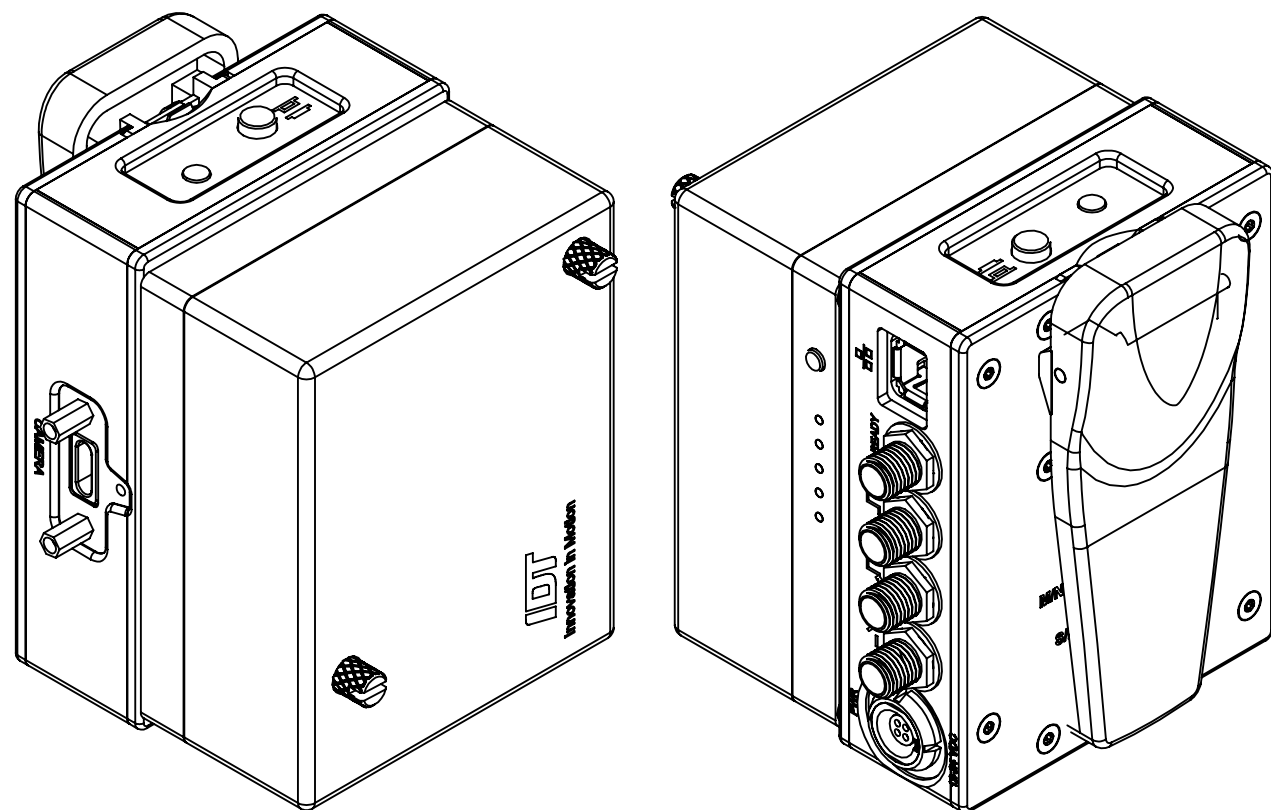
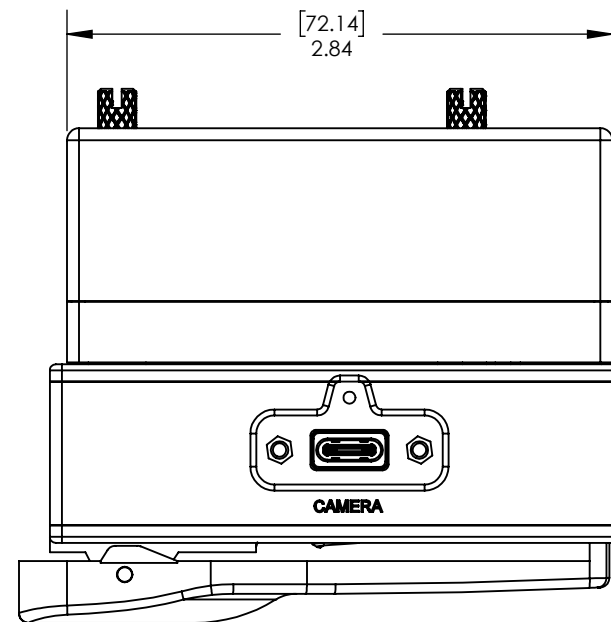
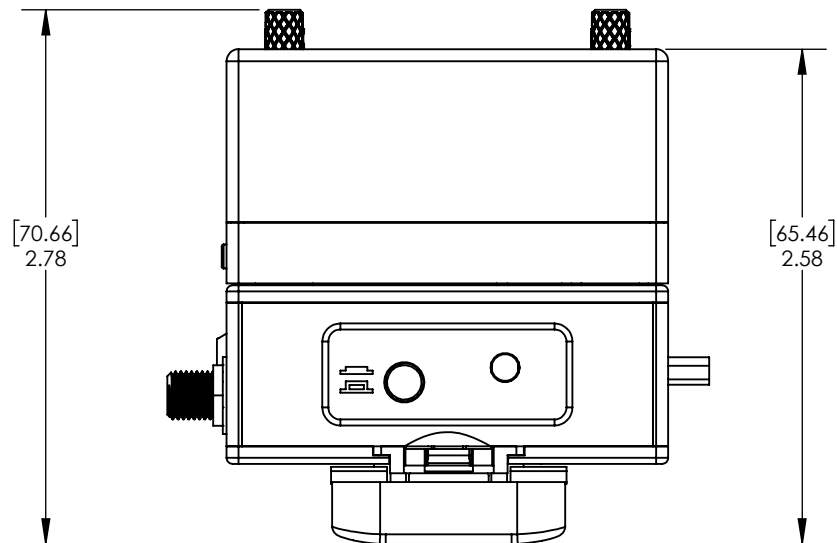
4

3

2

1

12Wh SWAPPABLE BATTERY CONFIGURATION



PROPRIETARY AND CONFIDENTIAL <small>THE INFORMATION CONTAINED IN THIS DRAWING IS THE SOLE PROPERTY OF INTEGRATED DESIGN TOOLS, INC. ANY REPRODUCTION IN PART OR AS A WHOLE WITHOUT THE WRITTEN PERMISSION OF INTEGRATED DESIGN TOOLS, INC. IS PROHIBITED.</small>	PROJECT NAME: CRASH CAM MINI	INTEGRATED DESIGN TOOLS, INC <small>1 WEST MOUNTAIN STREET SUITE 3 PASADENA, CA 91103</small>	
	UNLESS OTHERWISE SPECIFIED: DIMENSIONS ARE IN INCHES TOLERANCES ON: FRACTIONAL DECIMAL ANGULAR $\pm 1/16$ $X \pm .03$ $\pm 1^\circ$ $.XX \pm .01$ $.XXX \pm .005$	TITLE: ICD, USB-C SIGNAL HUB	
DO NOT SCALE DRAWING	SCALE: 1:4	DWG. NO. 1473-0100	DATE: 10/10/2018
			SHEET 2 OF 2

8

7

6

5

4

3

2

1