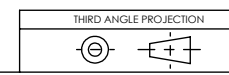
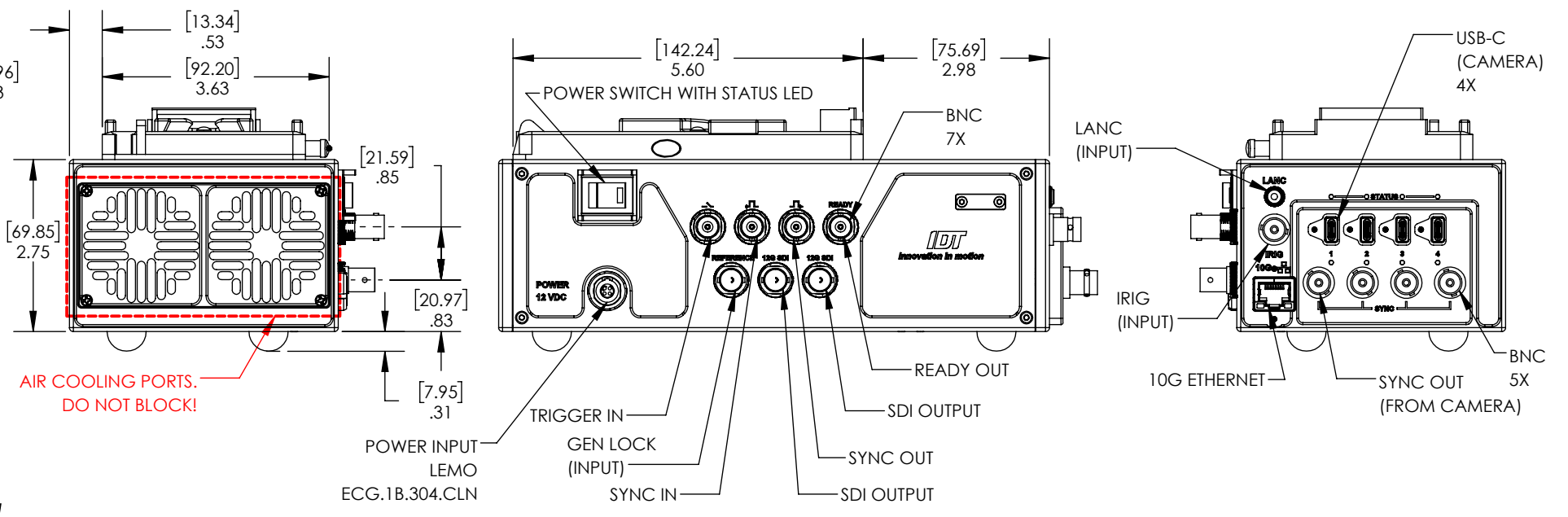
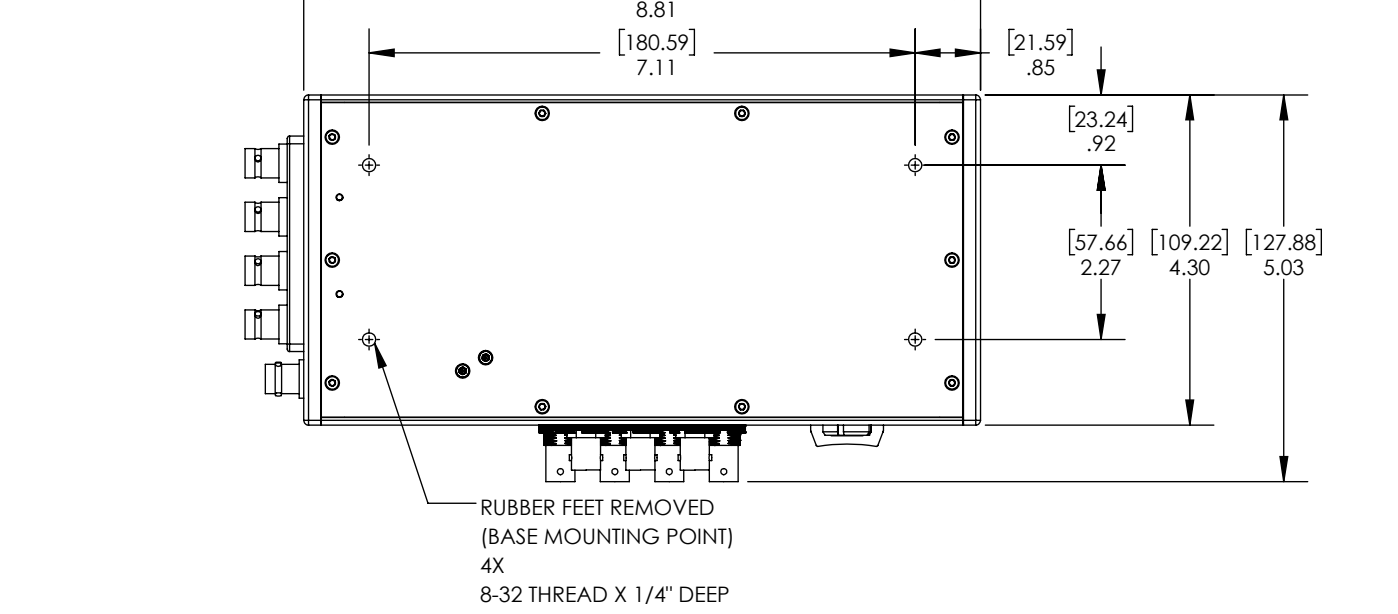
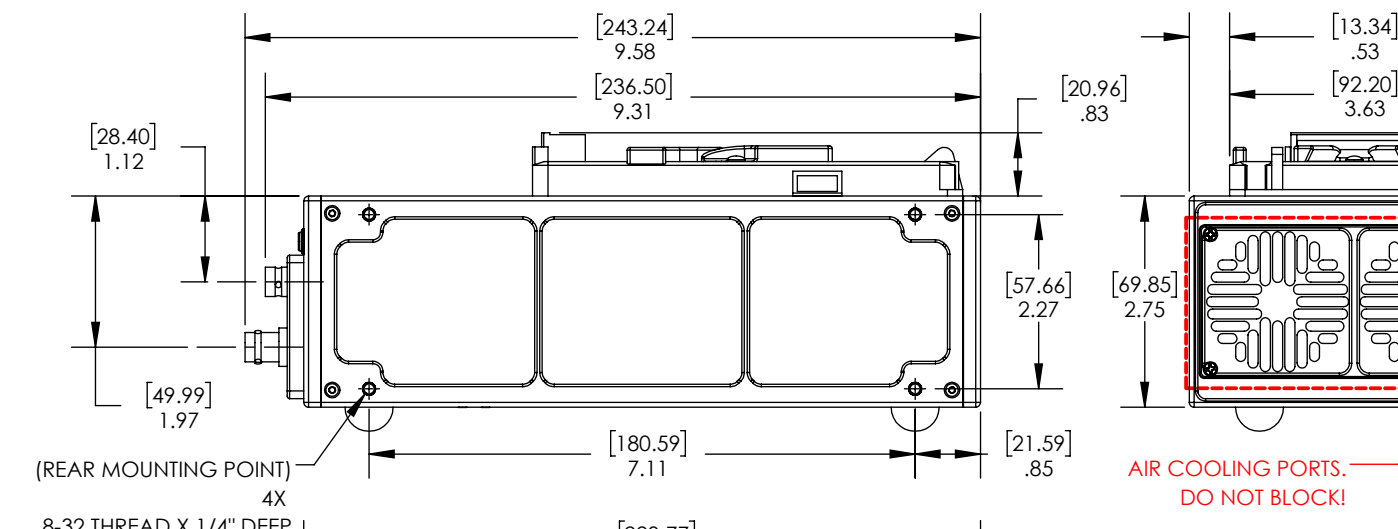
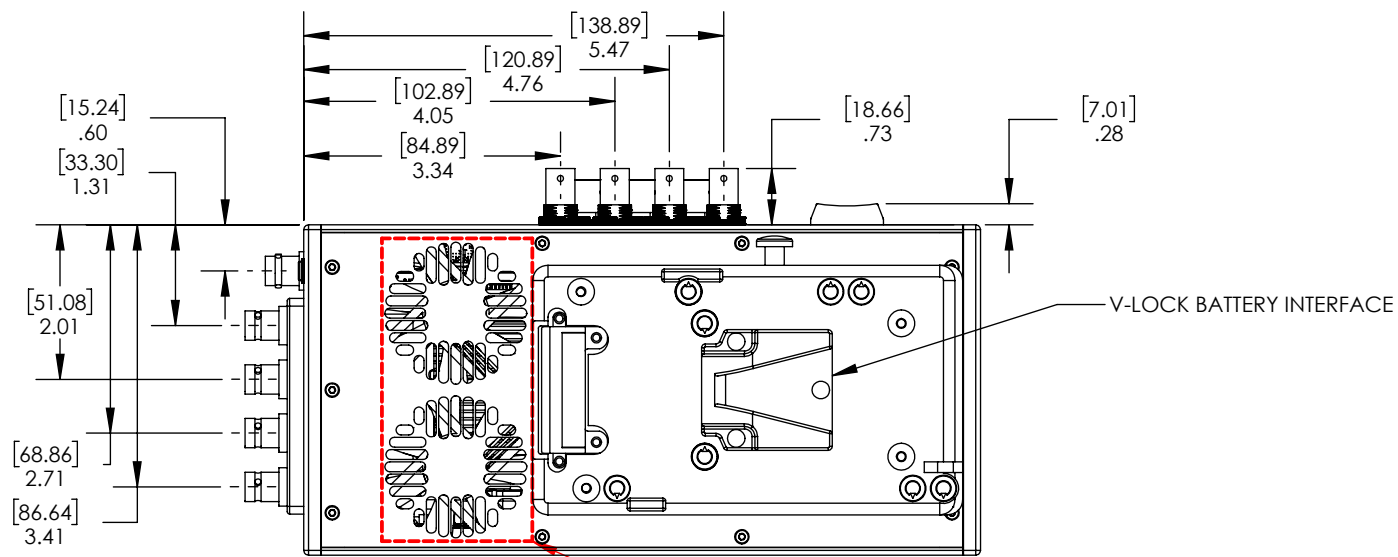


INTERFACE CONTROL DOCUMENT

V-LOCK CONFIGURATION

1. WEIGHT: 4.14 lb [1.88 kg]

| REVISIONS | | | | | |
|-----------|------|----------|-----------------------------|-----------|-----------|
| ZONE | REV. | ECO # | DESCRIPTION | DATE | APPROVED |
| | A | | INITIAL DOCUMENT RELEASE. | 2/17/2020 | C. VIDAMO |
| | B | ECO-0561 | ADDITION OF WEIGHT IN NOTES | 3/16/2020 | B. MOAK |

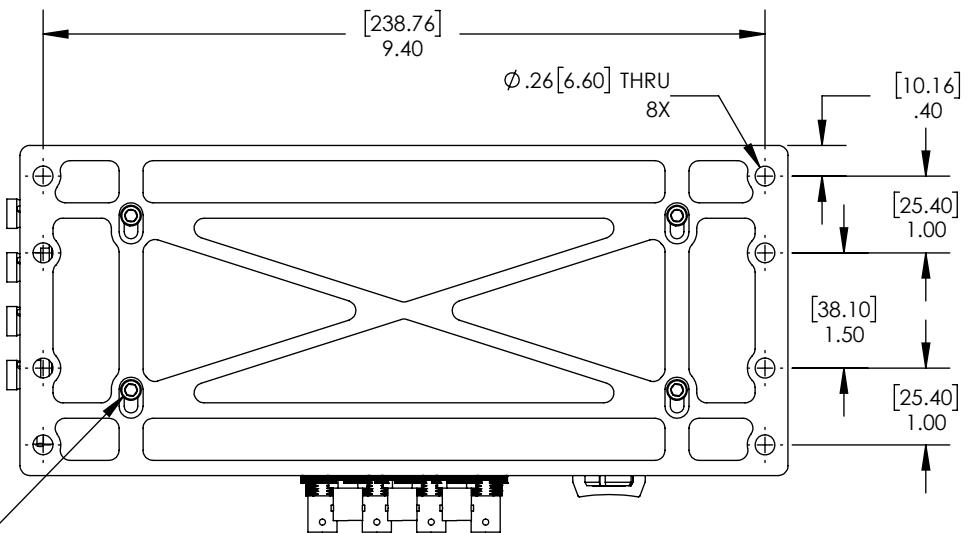
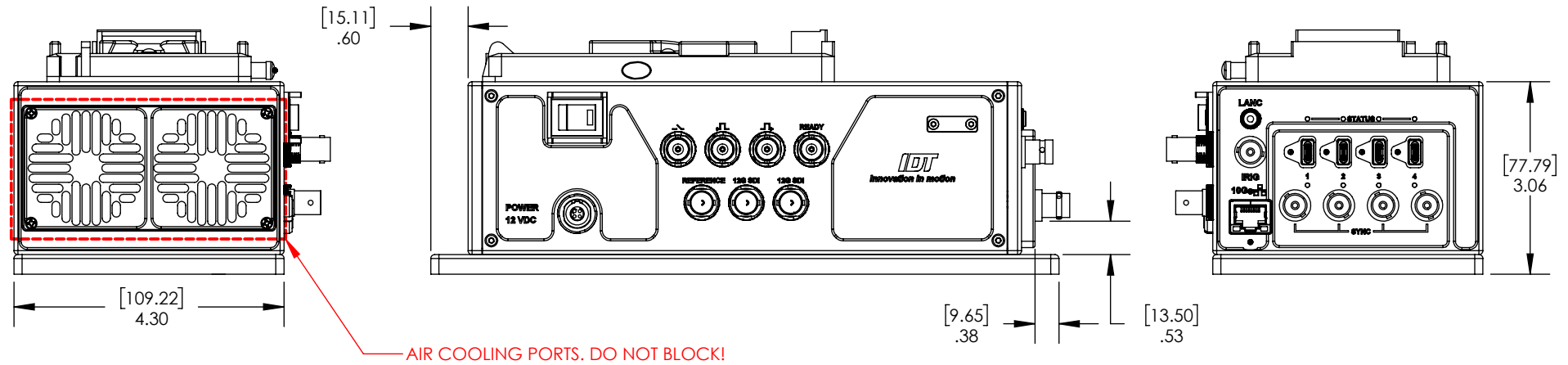
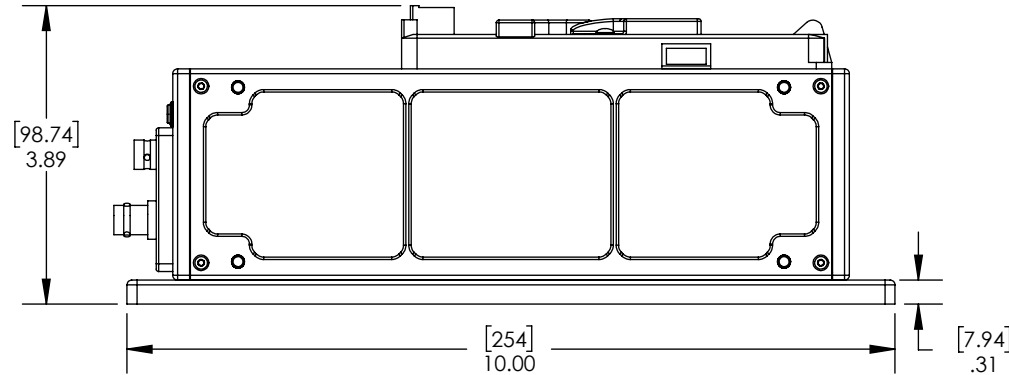
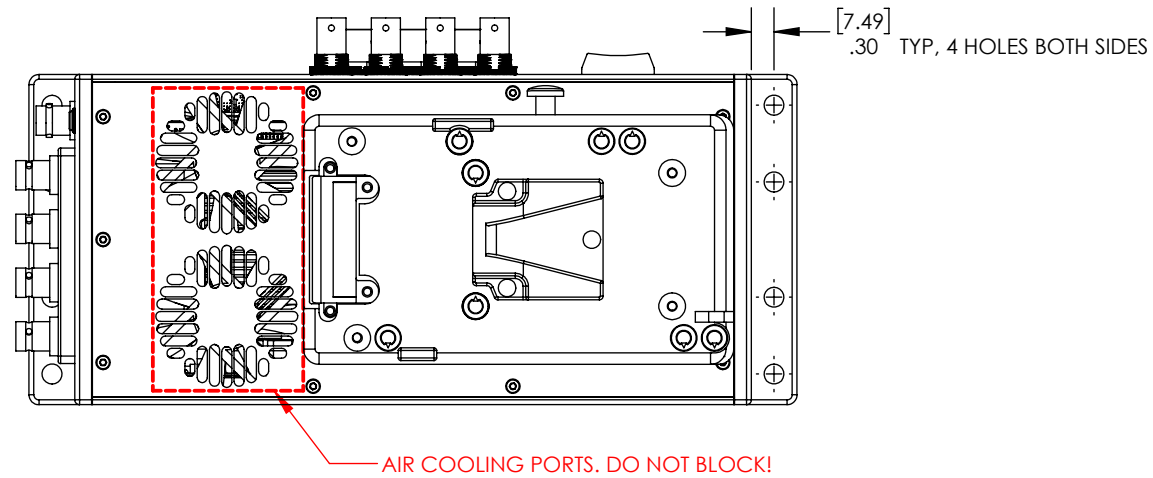


| | | | | | |
|---|---|---------|--|--|---|
| <p>PROPRIETARY AND CONFIDENTIAL</p> <p>THE INFORMATION CONTAINED IN THIS DRAWING IS THE SOLE PROPERTY OF INTEGRATED DESIGN TOOLS, INC. ANY REPRODUCTION IN PART OR AS A WHOLE WITHOUT THE WRITTEN PERMISSION OF INTEGRATED DESIGN TOOLS, INC. IS PROHIBITED.</p> <p>IDT</p> | MATERIAL: | FINISH: | PROJECT NAME: XSTREAM MINI RECORDER | <p>INTEGRATED DESIGN TOOLS, INC</p> <p>1 WEST MOUNTAIN STREET SUITE 3 PASADENA, CA 91103</p> <p>TITLE: INTERFACE CONTROL DOCUMENT (ICD), XSTREAM MINI RECORDER</p> <p>SIZE: B DWG. NO. 1474-0100</p> <p>SCALE: 1:2.5 DATE: 3/16/2020 SHEET 1 OF 3</p> | |
| | UNLESS OTHERWISE SPECIFIED: DIMENSIONS ARE IN INCHES TOLERANCES ON: | | | | DRAWN: C. VIDAMO 3/16/2020 CHECKED: B. MOAK 3/16/2020 ELECTRICAL ENGINEER: C. VIDAMO 3/16/2020 OPERATIONS MANAGER: PROGRAM MANAGER: |
| | FRACTIONAL DECIMAL ANGULAR ±1/16 .X ±.03 ±1* .XX ±.01 .XXX ±.005 | | | | REV B |
| | DO NOT SCALE DRAWING | | | | |

ALL OTHER DIMENSIONS ARE THE SAME. REFER TO SHEET 1.

WEIGHT: ADD 0.73 lb (0.333 kg) FOR PLATE

V-LOCK CONFIGURATION WITH BASE MOUNTED PLATE (1474-0216)

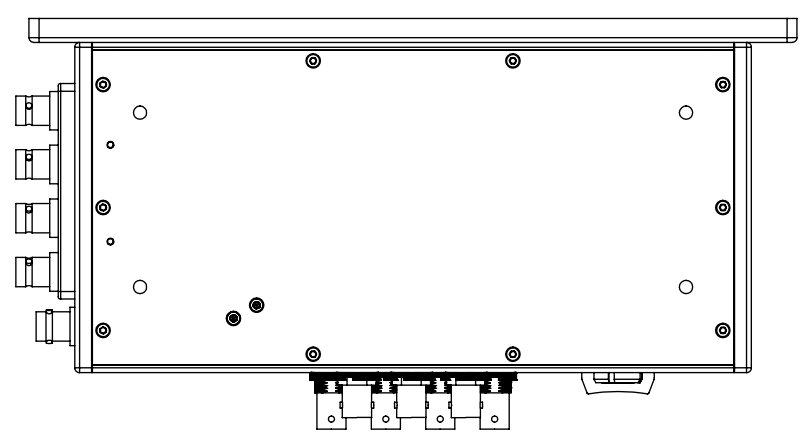
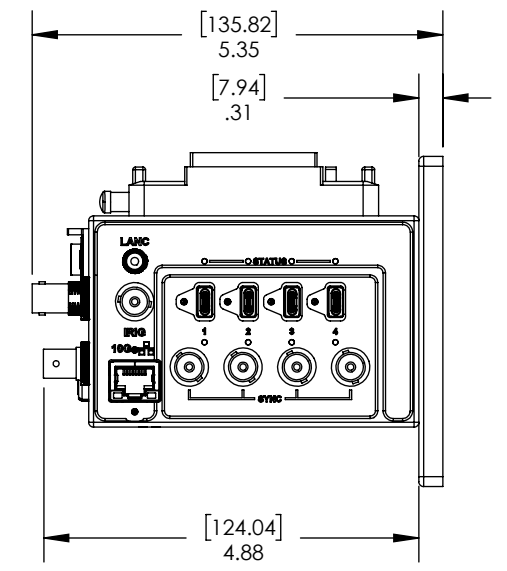
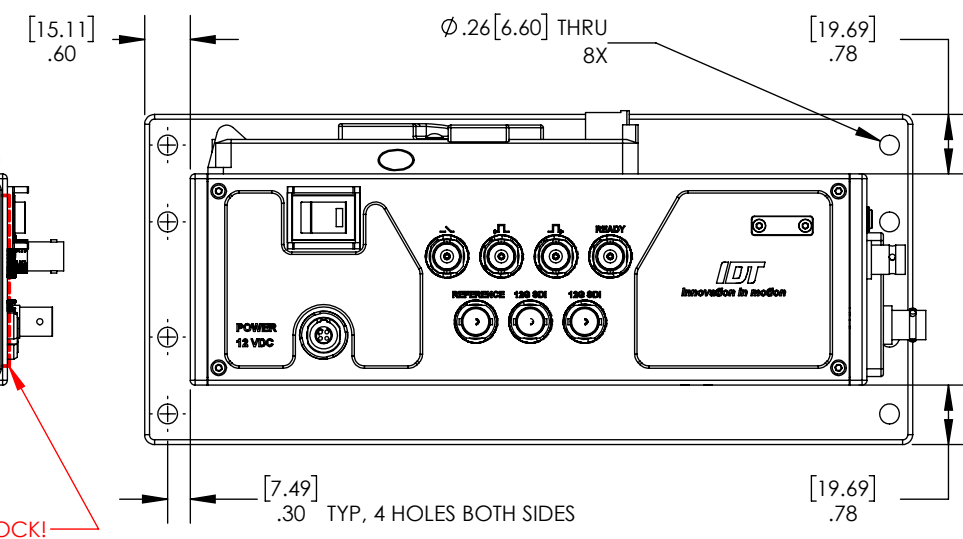
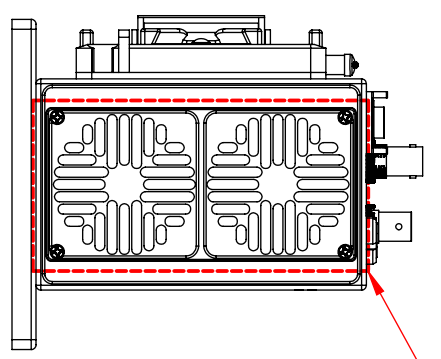
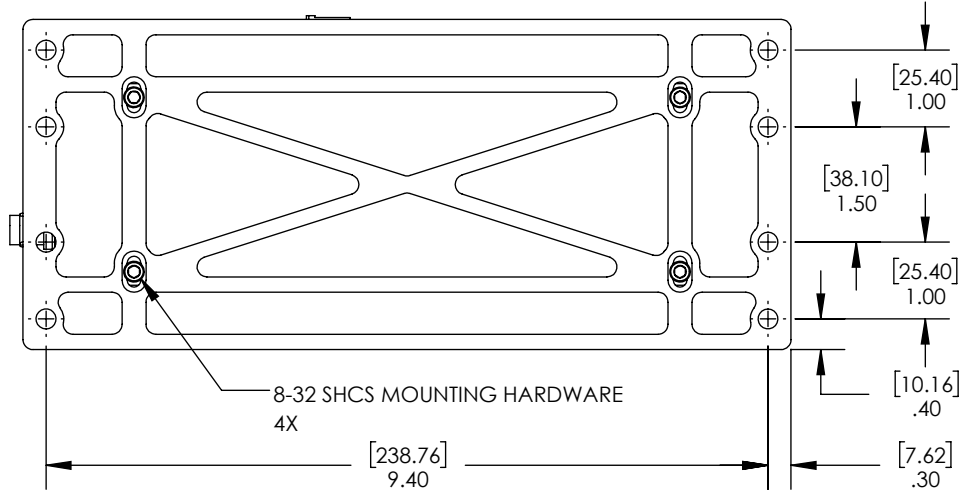
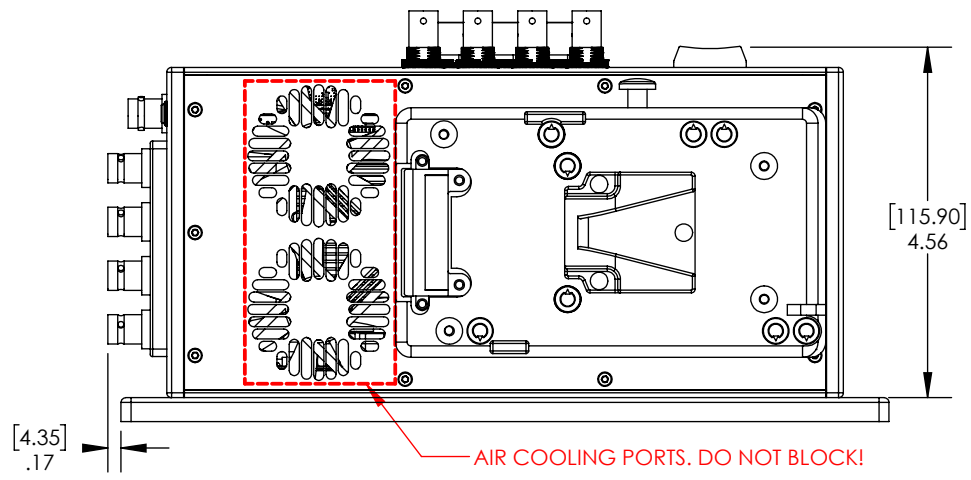


| | | |
|---|--|---|
| PROPRIETARY AND CONFIDENTIAL <small>THE INFORMATION CONTAINED IN THIS DRAWING IS THE SOLE PROPERTY OF INTEGRATED DESIGN TOOLS, INC. ANY REPRODUCTION IN PART OR AS A WHOLE WITHOUT THE WRITTEN PERMISSION OF INTEGRATED DESIGN TOOLS, INC. IS PROHIBITED.</small> | PROJECT NAME: XSTREAM MINI RECORDER | INTEGRATED DESIGN TOOLS, INC <small>1 WEST MOUNTAIN STREET SUITE 3 PASADENA, CA 91103</small> |
| | UNLESS OTHERWISE SPECIFIED: DIMENSIONS ARE IN INCHES TOLERANCES ON: FRACTIONAL DECIMAL ANGULAR ± 1/16 X ± .03 ± 1° .XX ± .01 .XXX ± .005 | TITLE: INTERFACE CONTROL DOCUMENT (ICD), XSTREAM MINI RECORDER |
| DO NOT SCALE DRAWING | SIZE: B | DWG. NO. 1474-0100 |
| THIRD ANGLE PROJECTION | SCALE: 1:2.5 | DATE: 3/16/2020 |
| | | REV B |
| | | SHEET 2 OF 3 |

ALL OTHER DIMENSIONS ARE THE SAME. REFER TO SHEET 1.

WEIGHT: ADD 0.73 lb (0.333 kg) FOR PLATE

V-LOCK CONFIGURATION WITH REAR MOUNTED PLATE (1474-0216)



| | | |
|---|--|--|
| PROPRIETARY AND CONFIDENTIAL <small>THE INFORMATION CONTAINED IN THIS DRAWING IS THE SOLE PROPERTY OF INTEGRATED DESIGN TOOLS, INC. ANY REPRODUCTION IN PART OR AS A WHOLE WITHOUT THE WRITTEN PERMISSION OF INTEGRATED DESIGN TOOLS, INC. IS PROHIBITED.</small> | PROJECT NAME: XSTREAM MINI RECORDER | INTEGRATED DESIGN TOOLS, INC <small>1 WEST MOUNTAIN STREET SUITE 3 PASADENA, CA 91103</small> |
| | UNLESS OTHERWISE SPECIFIED: DIMENSIONS ARE IN INCHES TOLERANCES ON: FRACTIONAL DECIMAL ANGULAR ± 1/16 X ± .03 ± 1° .XX ± .01 .XXX ± .005 | TITLE: INTERFACE CONTROL DOCUMENT (ICD), XSTREAM MINI RECORDER |
| THIRD ANGLE PROJECTION | DO NOT SCALE DRAWING | SIZE: B DWG. NO. 1474-0100 SCALE: 1:2.5 DATE: 3/16/2020 |
| | | REV B SHEET 3 OF 3 |